



EVERPURE® MRS-225CC RO SYSTEM

CONFIGURABLE SYSTEM THAT DELIVERS REVERSE OSMOSIS OR BLENDED WATER FOR MULTIPLE FOODSERVICE APPLICATIONS

MRS-225CC System: EV9970-09, EV9970-29, EV9970-30
Pre-Filter Kit: EV9795-81
6TO-BW Cartridge: EV9607-41
MR-225 Cartridge: EV9627-03
7CC-BW Cartridge: EV9627-05
P5 Cartridge: EV9109-08



APPLICATIONS

Mineral Reduction System for Foodservice Applications

Coffee, Steam, Reconstitution, Ice and Multiple Applications

Ideal For: Flash Steamers, Conventional Steamers, Cheese Melters, Combi Ovens and Coffee/Espresso

FEATURES • BENEFITS

Reduces limescale buildup that can cause excessive machine downtime and increased maintenance costs - plus, scale reduction reduces energy costs

Guards against taste and odor causing contaminants while removing dirt, particulates and dissolved minerals that can adversely affect taste of water and beverages

This controlled re-mineralization is desirable for coffee and other applications that require some hardness to achieve optimum results

Sanitary cartridge replacement is simple, quick and clean - internal filter parts are never exposed to handling or contamination

Wall mount design allows flexible installation

“CC” models introduce a small amount of hardness minerals back into treated water

Improves equipment life and performance by removing at least 90%+ of all dissolved solids that cause scale buildup

INSTALLATION TIPS

Choose a mounting location capable of safely supporting the full weight of the system when in operation.

Delimiting of existing water using equipment is recommended.

Never use saddle valve for connection.

Use 3/8" (9.5 mm) minimum water line.

Install vertically with cartridges hanging down and allow three (3) inches (76 mm) on all four sides of unit for cover removal and service access.

The product water tubing/piping and associated fittings connecting the RO product outlet to the equipment being serviced should be suitable for use with high purity water.

OPERATION TIPS

Change filter cartridges on a regular six (6) month preventative maintenance program.

Change RO cartridges on a regular two (2) year preventative maintenance program.

Change cartridges when capacity is reached.

Always flush the filter cartridge at time of installation and cartridge change.

Refer to Installation, Operation & Maintenance Manual for cartridge flushing and RO startup.

SIZING

The water inlet must supply a minimum of 0.7 gpm (2.7 Lpm)

Daily Production Rate:

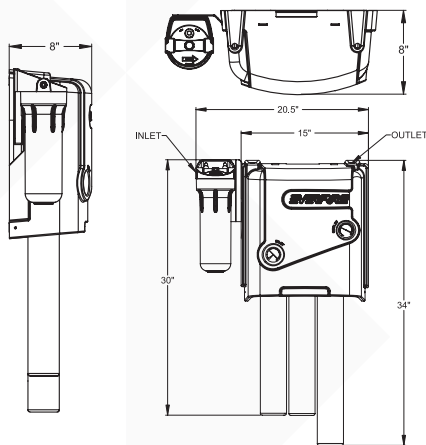
MRS-100/100CC: 100 gpd (379 Lpd) nominal

MRS-225/225CC: 225 gpd (852 Lpd) nominal

Service Flow Rate: Dependant on water pressure in storage tank and line size(s) to equipment

EVERPURE® MRS-225CC RO SYSTEM

MRS-225CC



Power Cord Plug Types



SPECIFICATIONS

Proper pre-treatment is required to control RO Cartridge (membrane) scale formation and/or fouling.

Raw water hardness in excess of seven grains per gallon (120 ppm) should be softened.

The raw water may contain particulates and the use of a pre-filter is recommended.

Daily Production Rate

225 gpd (852 Lpd) nominal

Service Flow Rate

Dependant on water pressure in storage tank and line size(s) to equipment.

Operating Pressure Requirements

25 - 80 psi (1.72 - 5.52 bar), non-shock

Minimum Static Pressure Requirements

100 psi (6.89 bar), non-shock

Minimum Water Supply

0.7 gpm (2.7 Lpm)

Temperature

40 - 100°F (4.4 - 38°C)

Overall Dimensions

30" H x 15" W x 8" D (76.2 x 38.1 x 20.3 cm)
Add 3" (7.6 cm) on all 4 sides for cover removal and service access.

Inlet/Outlet Line Connection

3/8" OD tube connection

Wastewater Line Connection

1/4" OD tube connection

Inlet TDS

1,500 ppm max. recommended

Available Voltages & Power Cord Types

EV9970-07: 115 VAC/60 Hz NEMA 5-15P
EV9970-23: 230 VAC/50 Hz CEE 7/7 "Schuko"
EV9970-24: 240 VAC/50 Hz AS 3112
EV9970-10: 115 VAC/60 Hz NEMA 5-15P
EV9970-25: 230 VAC/50 Hz CEE 7/7 "Schuko"
EV9970-26: 240 VAC/50 Hz AS 3112
EV9970-08: 115 VAC/60 Hz NEMA 5-15P
EV9970-27: 230 VAC/50 Hz CEE 7/7 "Schuko"
EV9970-28: 240 VAC/50 Hz AS 3112
EV9970-09: 115 VAC/60 Hz NEMA 5-15P
EV9970-29: 230 VAC/50 Hz CEE 7/7 "Schuko"
EV9970-30: 240 VAC/50 Hz AS 3112

Operating Weight

35 lbs (15.9 kgs) [not including external storage tanks]

The contaminants or other substances removed or reduced by this drinking water system are not necessarily in your water. Do not use with water that is microbiologically unsafe or of unknown quality without adequate disinfection before or after the system.

WARRANTY

MRS-100/100CC/225/225CC system (excluding replaceable elements) is covered by a limited warranty against defects in material and workmanship for a period of one year after the date of purchase.

Everpure water treatment systems by Pentair® (excluding replaceable elements) are covered by a limited warranty against defects in material and workmanship for a period of five years after date of purchase. Everpure replaceable elements (filter cartridges and water treatment cartridges) are covered by a limited warranty against defects in material and workmanship for a period of one year after date of purchase. See printed warranty for details. Pentair will provide a copy of the warranty upon request.



FILTRATION & PROCESSING SOLUTIONS

EVERPURE-SHURFLO WORLD HEADQUARTERS, 1040 MUIRFIELD DRIVE, HANOVER PARK, IL 60133 USA • WWW.EVERPURE.COM
800.942.1153 MAIN (US ONLY) • 630.307.3000 MAIN • 630.307.3030 FAX • CSEVERPURE@PENTAIR.COM EMAIL

EVERPURE-SHURFLO AUSTRALIA, 1-21 MONASH DRIVE, DANDENONG SOUTH, VIC 3175, AUSTRALIA
011.1300.576.190 TEL • 011.61.39.562.7237 FAX • AU.EVERPURE@PENTAIR.COM EMAIL

EVERPURE-SHURFLO CHINA, 21F CLOUD 9 PLAZA, NO 1118, SHANGHAI, 200052, CHINA
86.21.3211.4588 TEL • 86.21.3211.4580 FAX • CHINA.WATER@PENTAIR.COM EMAIL

EVERPURE-SHURFLO INDIA, GREEN BOULEVARD, B-9/A, 7TH FLOOR - TOWER B SECTOR 62, NOIDA - 201301
91.120.419.9444 TEL • 91.120.419.9400 FAX • INDIACUSTOMER@PENTAIR.COM EMAIL

EVERPURE-SHURFLO EUROPE, PENTAIR WATER BELGIUM BVBA, INDUSTRIEPARK WOLFSTEE, TOEKOMSTLAAN, 30 B-2200 HERENTALS, BELGIUM
+32.(0).14.283.500 TEL • +32.(0).14.283.505 FAX • SALES@EVERPURE-EUROPE.COM EMAIL

EVERPURE-SHURFLO JAPAN INC., HASHIMOTO MN BLDG. 7F, 3-25-1 HASHIMOTO, MIDORI-KU, SAGAMIHARA-SHI KANAGAWA 252-0143, JAPAN
81.(0)42.775.3011 TEL • 81.(0)42.775.3015 FAX • INFO@EVERPURE.CO.JP EMAIL

EVERPURE-SHURFLO SOUTHEAST ASIA, SOUTHEAST ASIA, 390 HAVELOCK ROAD, #04-01, KING'S CENTRE, SINGAPORE 169662
65.6768.5800 TEL • 65.6737.5149 FAX • CSEVERPURE@PENTAIR.COM EMAIL

All Pentair trademarks and logos are owned by Pentair, Inc. or its affiliates. All other registered and unregistered trademarks and logos are the property of their respective owners. Because we are continuously improving our products and services, Pentair reserves the right to change specifications without prior notice. Pentair is an equal opportunity employer.