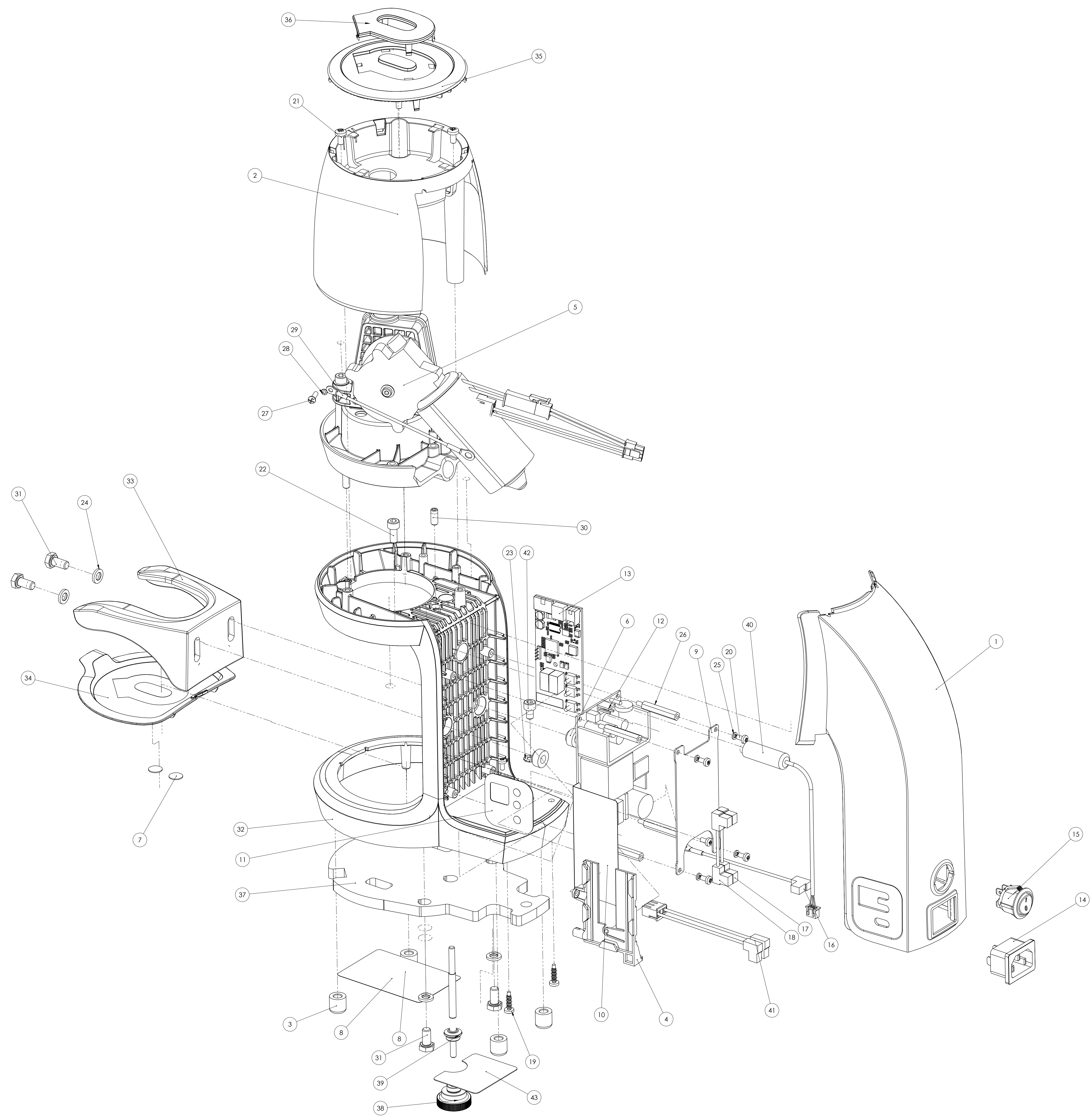
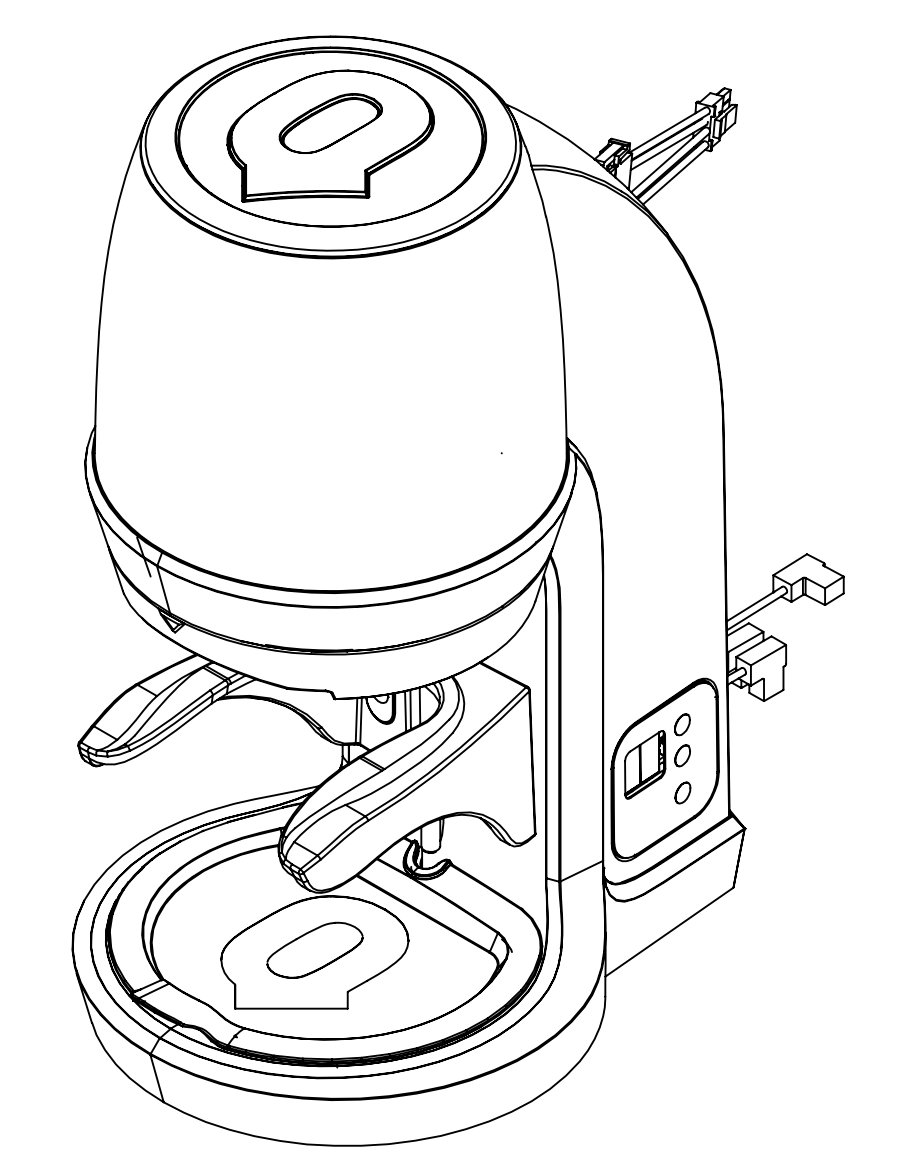


REV.	DESCRIPTION	DATE	APPROVED
A		18-4-2016	L.Plumers



ITEM NO.	PART NUMBER	DESCRIPTION	QTY.
1	1-210-0019-1-111-1-A_main_housing_back_cover	Main housing - back cover	1
2	1-210-0023-1-111-1-A_main_housing_middle_cover	Main housing - middle cover	1
3	1-210-0035-1-111-1-B_anti_slip_foot	Anti-slip foot	4
4	1-210-0026-1-111-1-B_motor_controller_support_frame	Motor controller - support frame	1
5	1-310-0008-1-111-1-A_drive_unit_cylinder_type	Mech. Assy: drive unit	1
6	1-110-0025-1-111-1-A_rivet_bushes_crimp_nut	Rivet bushes crimp nut	2
7	1-110-0023-1-111-1-A_magnet	Magnet	2
8	1-210-0064-1-111-1-A_product_information_sticker	Product sticker	1
9	1-210-0036-1-111-1-A_shielding_plate_AC_DC_converter	EMC shielding plate	1
10	1-210-0044-1-111-1-B_Mylar_foil	Electrical insulation foil	1
11	1-210-0060-1-111-1-C_display_sticker	Display sticker	1
12	1-110-0002-1-111-1-A_ACDC_converter	AC/DC converter	1
13	1-210-0101-1-111-1-B_motor_controller	Motor controller PCB	1
14	1-110-0015-1-111-1-A_power_entry_connector	Power inlet socket	1
15	1-110-0014-1-111-1-A_on_off_switch	On/off switch	1
16	1-410-0005-2-111-1-A_grounding_cable	Elec. assy: Grounding cable	1
17	1-410-0008-2-111-1-A_on_off_switch_cable_blue	Elec. assy: on/off switch cable	1
18	1-410-0006-2-111-1-A_on_off_switch_cable_brown	Elec. assy: on/off switch cable	1
19	1-110-0031-1-111-1-A_plastic_screw_4x12	Screw for plastic	2
20	1-110-0022-1-111-1-A_cross_head_M3x8	Cross head screw M3x8	6
21	1-110-0029-1-111-1-A_cross_head_M4x10	Cross head screw M4x10	3
22	1-110-0026-1-111-1-A_hex_cap_screw_M5x12	Hexagon head cap screw, M5x12	2
23	1-110-0032-1-111-1-A_toothed_lock_washer_M5	Toothed lock washer M5	3
24	1-110-0036-2-111-1-A_washer_M6	Washer M6	4
25	1-110-0038-1-111-1-A_spring_lock_washer_M3	Spring lock washer, M3	4
26	1-110-0089-1-111-1-A_stud_M3x30	Stud M3x30mm	4
27	1-110-0073-1-111-1-A_screw_2.9x12mm	Metal screw 2.9x12	1
28	1-110-0074-1-111-1-A_toothed_lock_washer_M3	Toothed lock washer M3	1
29	1-410-0009-2-111-1-A_earthing_cable_DC_motor	Elec. Assy: Earthing cable DC motor	1
30	1-110-0037-1-111-1-A_set_screw_M5x12	Set screw M5x12	1
31	1-110-0078-1-111-1-A_hex_head_screw_M6x14	Hexagon head screw, M6x14	4
32	1-210-0153-3-111-1-A_main_body_Q2	Main body - Q2	1
33	1-210-0029-2-111-1-A_lower_clamp_fine_adjust_matt_chromium	Lower clamp - Fine adjust (matt chromium)	1
34	1-210-0181-2-111-1-A_Ground_coffee_basket_Q2	Ground coffee basket Q2	1
35	1-210-0178-2-111-1-A_main_housing_top_cover_Q2_black	Main housing - top cover - Q2 - black	1
36	1-210-0179-1-111-1-A_main_housing_top_cover_Q2-logo_Matt-Chromium	Main housing - top cover Q2 - logo - Matt Chromium	1
37	1-210-0040-3-111-1-A_counter_weight	Counter weight	1
38	1-210-0184-2-111-1-A_thumb_nut_lower_clamp_adjustment	Thumb nut lower clamp adjustment	1
39	1-210-0185-3-111-1-A_shaft_lower_clamp_adjustment	Shaft lower clamp adjustment	1
40	1-410-0010-1-111-1-A_induction_sensor_connector_FT	Induction sensor connector - FT	1
41	1-410-0001-3-111-1-A_input_cable_converter	Input cable converter	1
42	1-110-0026-1-111-1-A_hex_cap_screw_M5x12	hexagon head cap screw M5x8	1
43	1-210-0066-1-111-1-A_sticker_lower_clamp_adjustment	Sticker lower clamp adjustment	1



Geometric dimensioning and tolerancing according to ISO 1101 and NEN 602746-1:06	FINISH	DO NOT SCALE DRAWING	
Part name:		SCALE 1:1	
Part number:		Puqpress Q2 - 58mm	
MATERIAL:	Part number:	1-000-1111-2	AI
WBGH:	Doc:	110-1	Page: 1 of 1

Baritec Technology B.V.  
 Oostelijke Handelskade 731  
 1019 BW Amsterdam  
 The Netherlands