

FELICITA

1-Year Limited Warranty

About warranty issues : Please contact your original place of purchase or your local distributor. Products that are purchased in every country have a one year warranty for parts only. If your product fails within one year date of purchase, simply email us at support@felicitacoffee.com. Please have the following information prior to contacting Felicita :

- 1) Proof of date of purchase.
- 2) Model and serial number (located on bottom of the product) Felicita will contact you to determine the problem, and see if it can be fixed quickly and easily.

The customer is responsible for paying the freight charges and any duties for replacement parts that Felicita may send. Customer is also responsible to provide any labor required to repair the product.

The high quality workmanship of Felicita products bearing the Felicita trademark is guaranteed by: FELICITA CO., LIMITED



Available on the
App Store



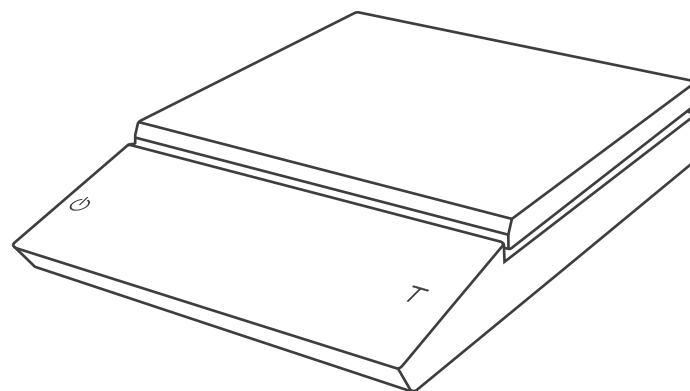
Get it on
Google play

App Free Download

FELICITA | Parallel Plus

Parallel Plus Ratio Scale

WARRANTY CARD



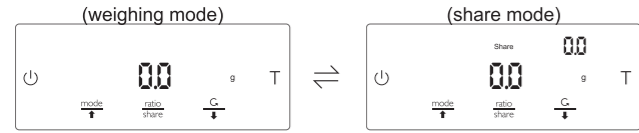
正面:

反面:

Mode Setting Guide

Share(S) mode

In share (S) mode, you can record the weight of cup that you usually use. Every time you put it on the scale, you can always know how much water inside immediately. It's such convenient.

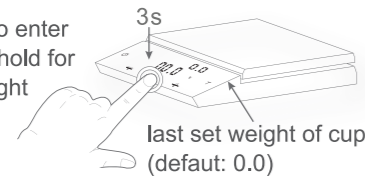


In weighing mode, by pressing $\frac{\text{ratio}}{\text{share}}$ button you can enter or quit share(S) mode, switch in modes. In share mode, press $\frac{\text{ratio}}{\text{share}}$ and hold for 3s, the display shows the last set weight of cup on upper right corner.(default: 0.0)

Setting Operation:

In this operation, the cup weight = 305.5g, adding water weight = 100g. The total weight is 405.5g.

1: In weighing mode, press $\frac{\text{ratio}}{\text{share}}$ button to enter Share(S) mode, then press $\frac{\text{ratio}}{\text{share}}$ and hold for 3s, the display shows the last set weight of cup on upper right corner. (default: 0.0) "Share" will flash.



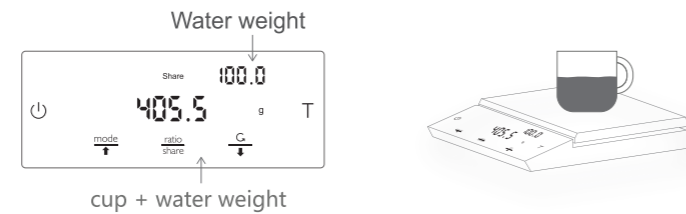
FELICITA | Parallel Plus

Mode Setting Guide

2: Place cup on the scale then the weight(305.5g) displays in the middle, press $\frac{\text{ratio}}{\text{share}}$ and hold for 3s, then "Share" is on, "save" displays in the middle and "305.5" on upper right corner, which means setting the weight of cup is saved. The scale'll go back to S mode automatically after letting go. Now setting 305.5g as the new weight of cup is accomplished.



3: Start to use: Add water(100g) in the cup, the total weight displays in the middle, and the weight of water displays on upper right corner.



FELICITA | Parallel Plus

Calibration for Felicita Scale

1、 Purpose

The calibration procedure is designed for users to calibrate the felicita scale periodically in order to maintain the best weighing accuracy.

2、 Why Is Calibration Important ?

The weighing sensor does not only respond to weight, but also temperature effects , surface tilt, gravitational influence, voltage bias,etc. In order to rule out confounding factors and maintain the highest weighing accuracy of the scale, periodic calibration is required.

3、 Recommendation

For the felicita scale, it is recommended to calibrate periodically - once per week or every other week. If the felicita scale is moved between two cities, between two environments with different temperatures, or onto a different surface, then the calibration procedure should be performed.

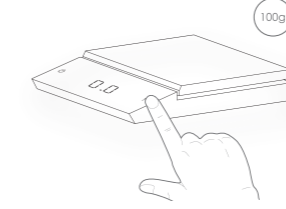
Specifications

- Aprox. Weight: 560g
- Capacity: 2000g / 70.54oz
- Measuring Units: g, oz
- Weighing Range: Maximum capacity: 2000.0g / 70.540oz
Division: 0.1g / 0.002oz
Reference division: 0.01g / 0.0005oz
- Indication Limit: 2060.00g / 72.6600oz
- Unit Dimensions: 160mm(W) x 212mm(L) x 35mm(H)
- Electrical Requirements: 5V / 500mA
- Power and Battery: Lithium-ion rechargeable 3.7V 1100mA
- Connectivity : Bluetooth 4.0
- Linearity: +/- 0.2g
- Auto-Off: Ten minutes

FELICITA | Parallel Plus

Simple Calibration Steps

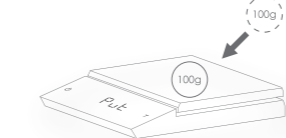
1 Turn on the felicita scale, make sure it is in weighing mode and the unit is set to "gram"



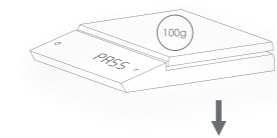
2 Then tap the "T" button rapidly over 6 times until "[-2Ero]" is shown on the display



3 Wait until "PUE" is shown on the display, then place a 100g weight on the scale (DO NOT place weight on until PUE is shown)

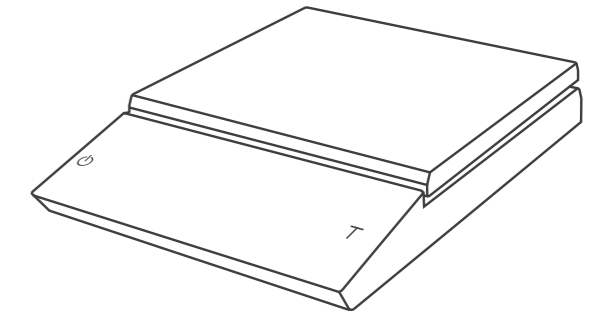


4 Wait until the display shows "PASS", then "0.0" displays. Calibration is now complete.



FELICITA | Parallel Plus

FELICITA Parallel Plus Ratio Scale



For complete user manual , please visit:www.felicitacoffee.com

正面:

Quick Start Guide

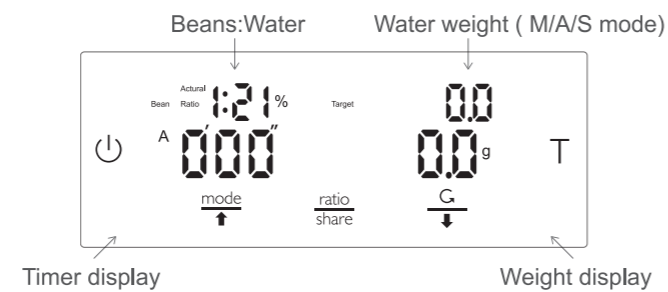
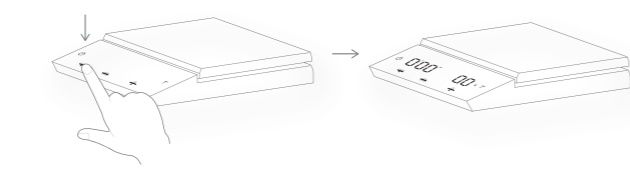
- 1 Turn On
Press "⏻" to turn on the scale
- 2 Turn Off
Double Tap to turn off the scale
- 3 Tare Weight
Press "T" to tare zero the weight
- 4 Switch unit
In weighing mode, press $\frac{\text{ratio}}{\text{share}}$ and hold for 3s, switch unit to "g" or "oz"

FELICITA | Parallel Plus

Quick Start Guide

Switch mode

Press $\frac{\text{mode}}{\uparrow}$ to switch mode

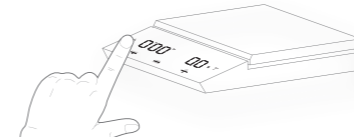


FELICITA | Parallel Plus

Mode Setting Guide

Timer mode

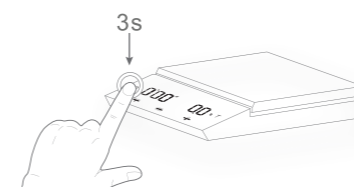
1: Press ⏻ button to start the timer



2: Press ⏻ again to pause the timer
Press ⏻ the third time to recover timing from pausing. The longest time can be timed is 9 min 59s



3: Press and hold ⏻ button for 3s for tare(zero) and reset the timer



FELICITA | Parallel Plus

Mode Setting Guide

Ratio Manual(M) mode

1: Press $\frac{\text{mode}}{\uparrow}$ button to switch M mode



2: Then "Bean" will flash, which means adding coffee powder. To set the bean & water ratio, press $\frac{\text{ratio}}{\text{share}}$ & $\uparrow\downarrow$, press again to confirm.

3: Place cup on the scale and press T to tare zero, Put coffee powder in, then press ⏻ to show target water, press ⏻ again to see "Actual 0%". Press T to tare zero and press ⏻ , then timing will start. (meantime pressing $\frac{\text{C}}{\downarrow}$ can reset default)

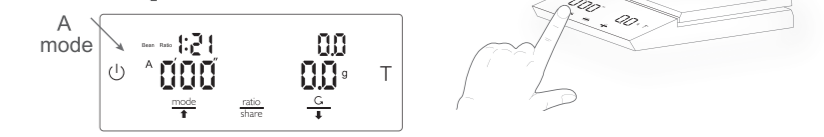
4: When water weight reaches 100%, one beep sound will be heard.

FELICITA | Parallel Plus

Mode Setting Guide

Ratio Auto(A) mode

1: Press $\frac{\text{mode}}{\uparrow}$ button to switch A mode



2: Then "Bean" will flash, which means adding coffee powder. To set the bean & water ratio, press $\frac{\text{ratio}}{\text{share}}$ & $\uparrow\downarrow$, press again to confirm.

3: Place cup on the scale and press T to tare zero, Put coffee powder in, then press ⏻ to show target water, press ⏻ again to see "Actual 0%", auto-tare. Press ⏻ , auto-time when adding water. (meantime pressing $\frac{\text{C}}{\downarrow}$ can reset default)

4: When water weight reaches 100%, one beep sound will be heard.

FELICITA | Parallel Plus

反面:

FCC Caution:

This device complies with part 15 of the FCC Rules. Operation is subject to the following two conditions: (1) This device may not cause harmful interference, and (2) this device must accept any interference received, including interference that may cause undesired operation.

Any Changes or modifications not expressly approved by the party responsible for compliance could void the user's authority to operate the equipment.

Note: This equipment has been tested and found to comply with the limits for a Class B digital device, pursuant to part 15 of the FCC Rules. These limits are designed to provide reasonable protection against harmful interference in a residential installation. This equipment generates uses and can radiate radio frequency energy and, if not installed and used in accordance with the instructions, may cause harmful interference to radio communications. However, there is no guarantee that interference will not occur in a particular installation. If this equipment does cause harmful interference to radio or television reception, which can be determined by turning the equipment off and on, the user is encouraged to try to correct the interference by one or more of the following measures:

- Reorient or relocate the receiving antenna.
- Increase the separation between the equipment and receiver.
- Connect the equipment into an outlet on a circuit different from that to which the receiver is connected.
- Consult the dealer or an experienced radio/TV technician for help.