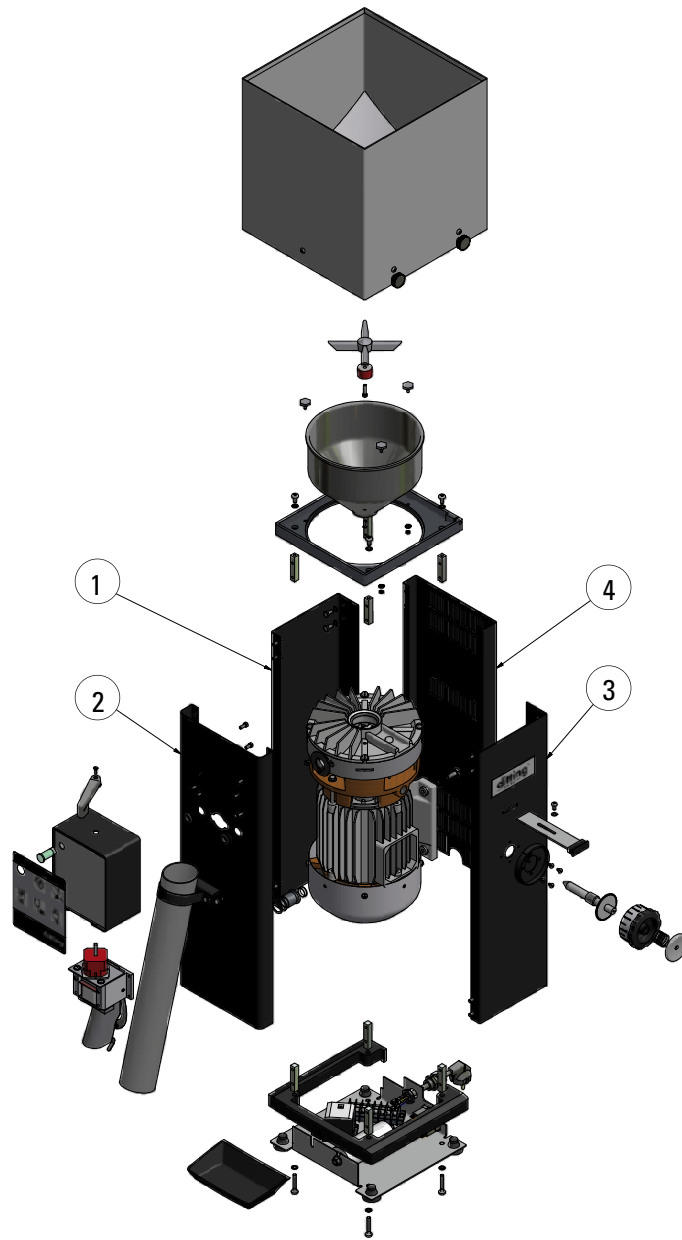


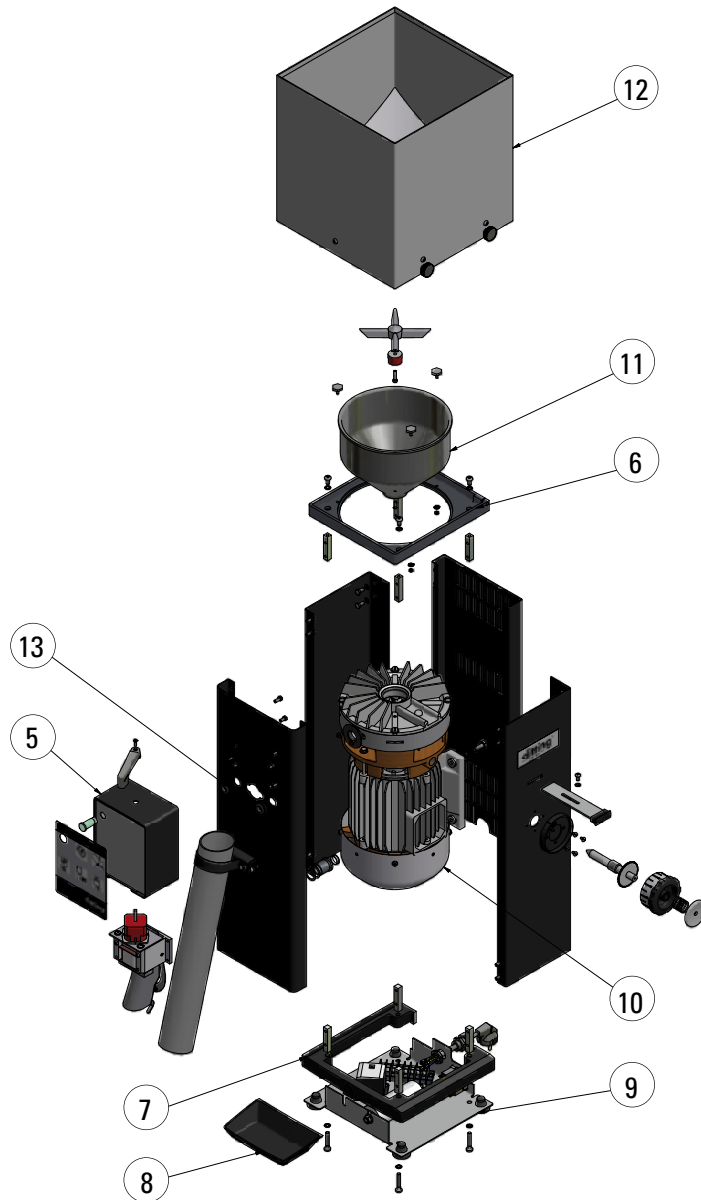
Valid from 01.01.2013
Supersedes all previously issued spare parts lists

Subject to change without prior notice.



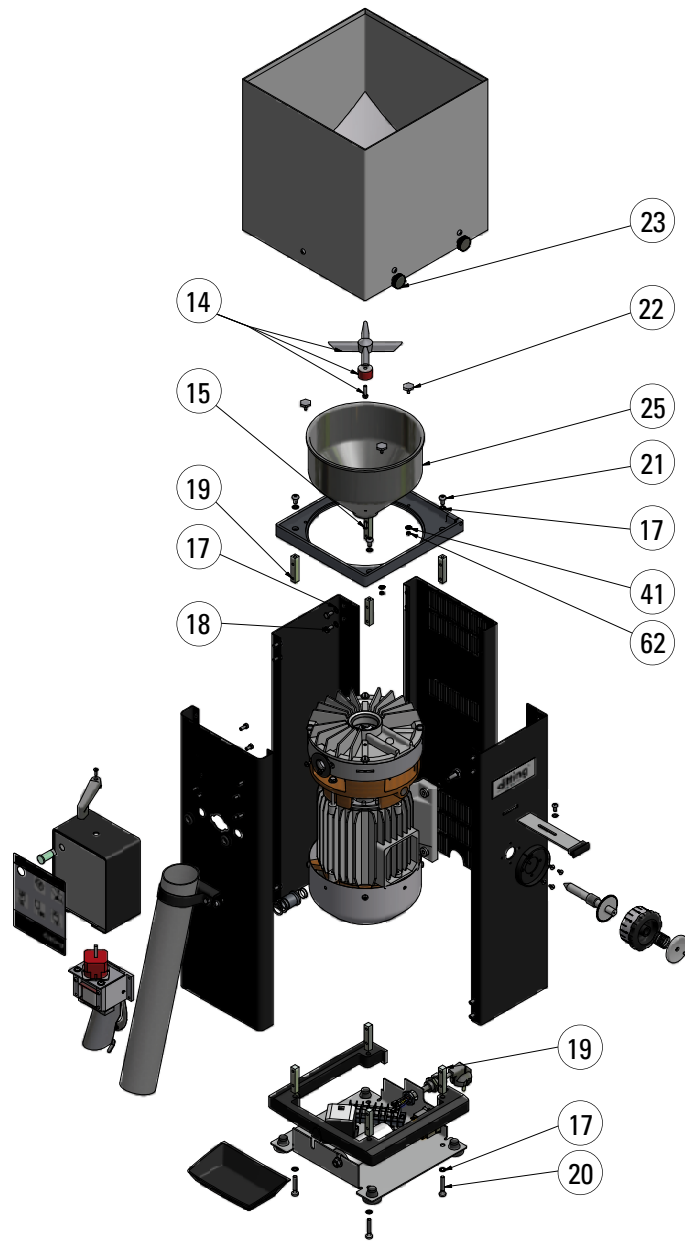
Type: KFA 1403, 220-240V 50Hz Industrial

ARTICLE NO.	DRAWING NO.	DESCRIPTION	QUANTITY
240046	1	Housing panel, left, brown colour	1
240719	1	Housing panel, left, black colour	1
241376	1	Housing panel, left, red colour	1
243255	2	Housing panel complete, front, brown colour	1
243256	2	Housing panel complete, front, black colour	1
243257	2	Housing panel complete, front, red colour	1
240042	3	Housing panel, right, brown colour, slider	1
241352	3	Housing panel, right, black colour, slider	1
241412	3	Housing panel, right, red colour, slider	1
243270	4	Housing panel, back, brown colour	1
243271	4	Housing panel, back, black colour	1
243272	4	Housing panel, back, red colour	1



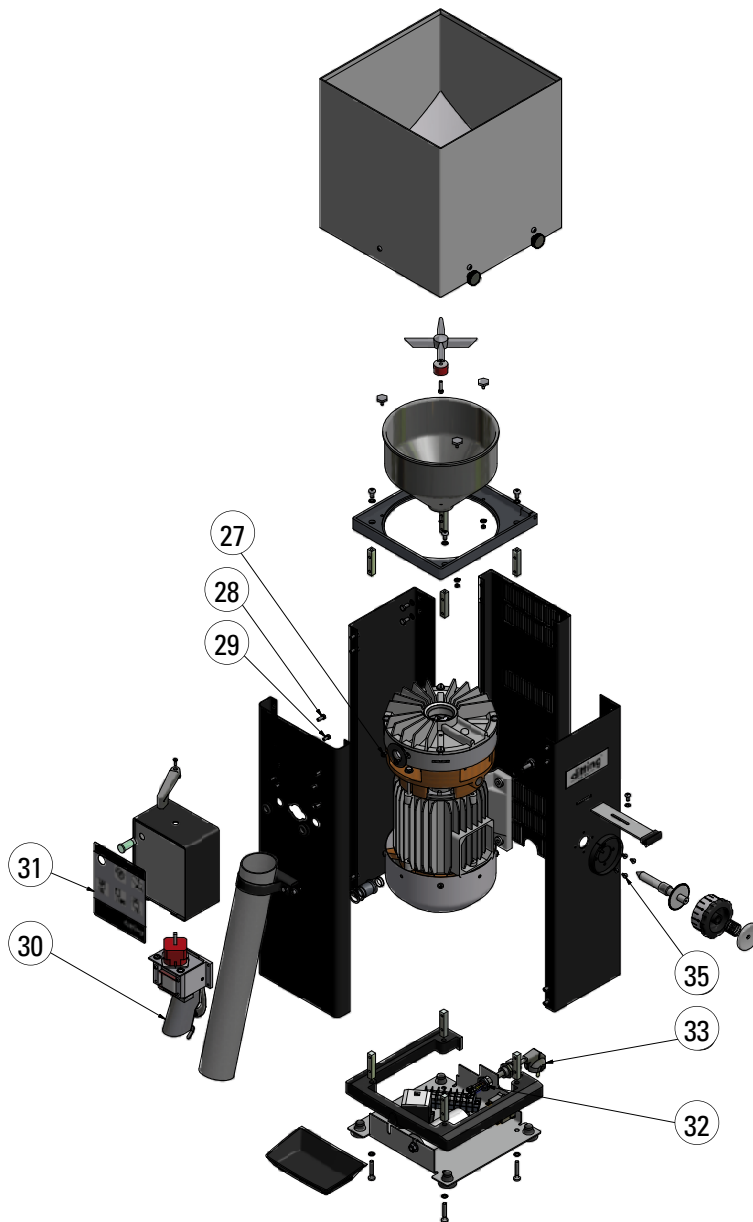
Type: KFA 1403, 220-240V 50Hz Industrial

ARTICLE NO.	DRAWING NO.	DESCRIPTION	QUANTITY
241832	5	Discharge housing, brown colour	1
241833	5	Discharge housing, black colour	1
241834	5	Discharge housing, red colour	1
240723	6	Cover plate black	1
241281	7	Bottom frame black colour	1
230205	8	Tray black	1
230281	9	Bottom panel complete	1
240561	10	Motor assembly complete, slider	1
240383	11	Hopper complete	1
220094	12	Hopper 10 kg	1
255700	13	Cable gland	2



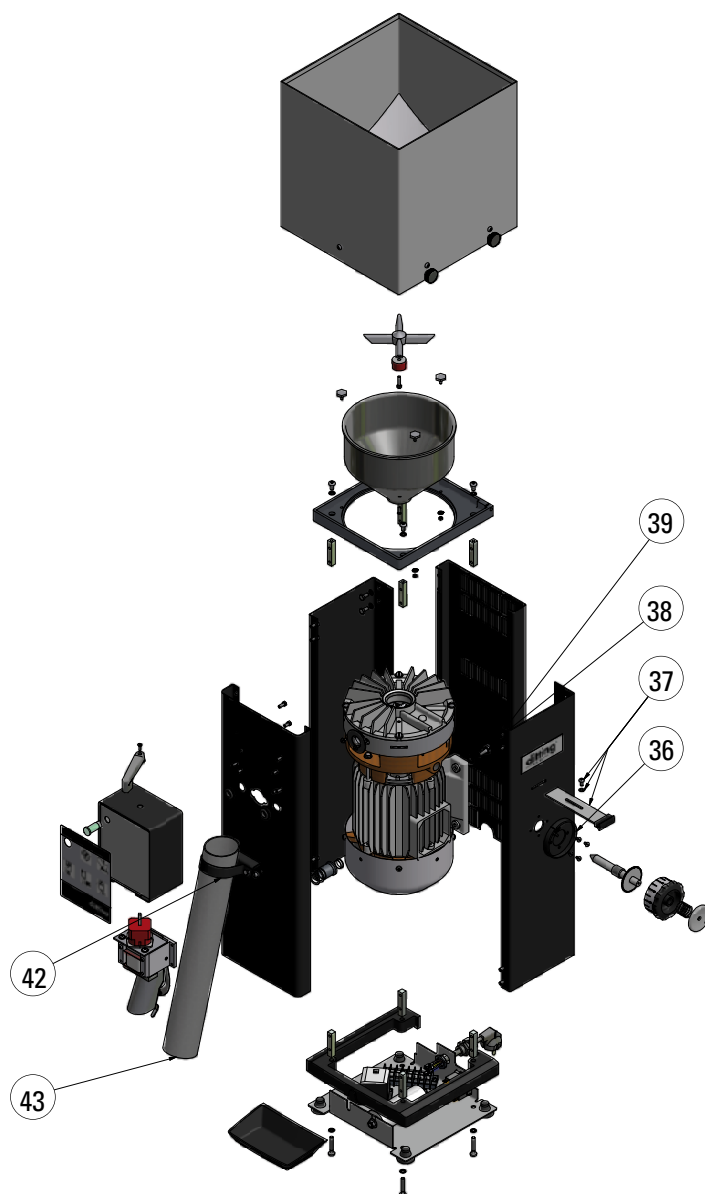
Type: KFA 1403, 220-240V 50Hz Industrial

ARTICLE NO.	DRAWING NO.	DESCRIPTION	QUANTITY
240198	14	Magnet with holder	1
250907	15	Screw	2
251502	17	Washer M6 DIN 6797 A zincked	24
250300	18	Screw ISO 4017-M6x12 zincked	16
240126	19	Bolt	8
250451	20	Pan Head-Screw ISO 7045-M6x35 zincked	4
250436	21	Screw ISO 7048-M6x12 Ks zincked	4
240483	22	Screw	3
255807	23	Knurled head	2
230048	25	Hopper	1
251516	41	Washer M4	3
251004	62	Nut M4x0.8d DIN 934 zincked	3



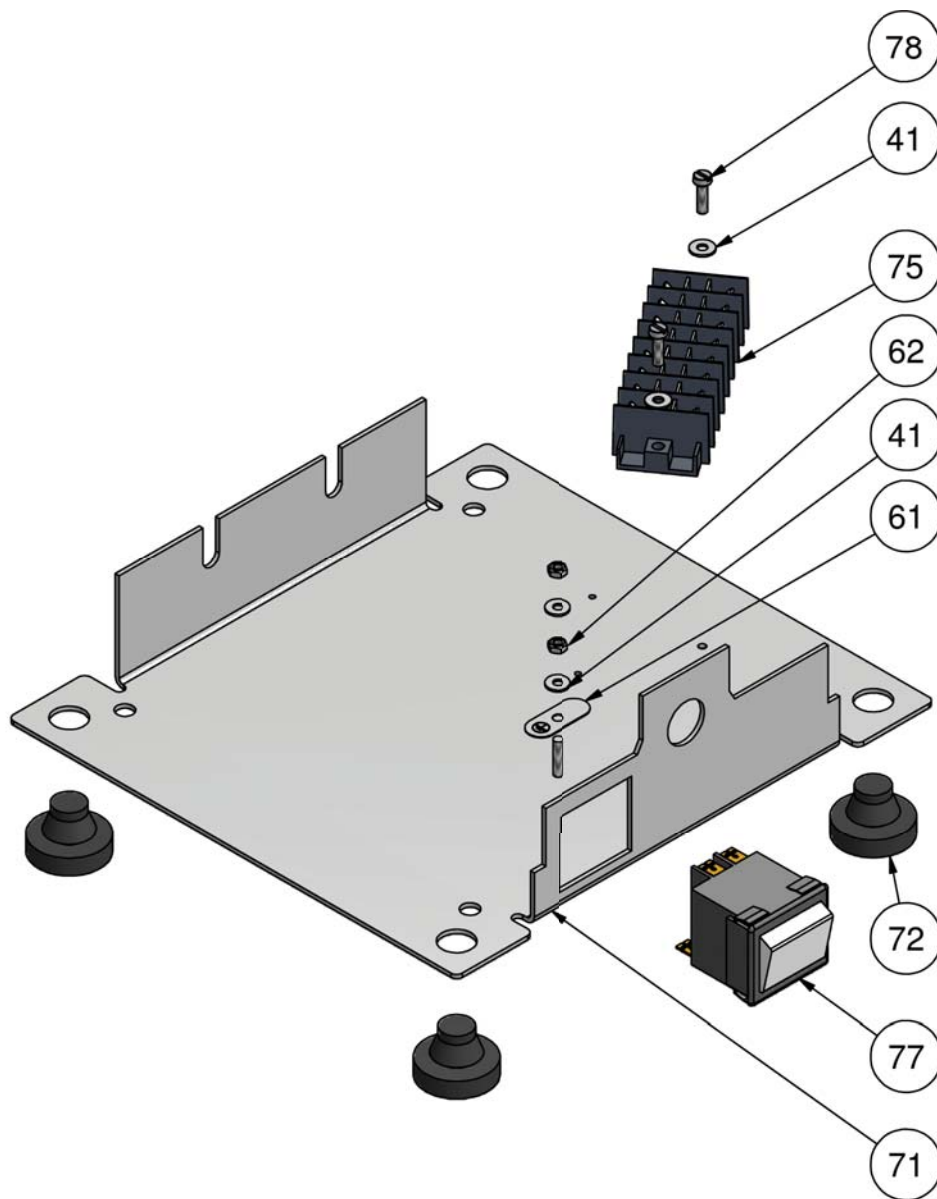
Type: KFA 1403, 220-240V 50Hz Industrial

ARTICLE NO.	DRAWING NO.	DESCRIPTION	QUANTITY
250403	27	Screw ISO 1207-M4x8 z1	2
250306	28	Screw ISO 4017-M5x12	4
250305	29	Screw ISO 4017-M5x10	4
240498	30	Discharge assy	1
230100	31	Operating panel KFA, german language	1
230102	31	Operating panel KFA, english language	1
	31	Operating panel differrent language	1
251010	32	Hexagonal nut PG11 L DIN 46320-FS/PA	1
240158	33	Cable 5 x 1	1
250907	35	Tapping screw ISO 1481-4.2x6.5	4



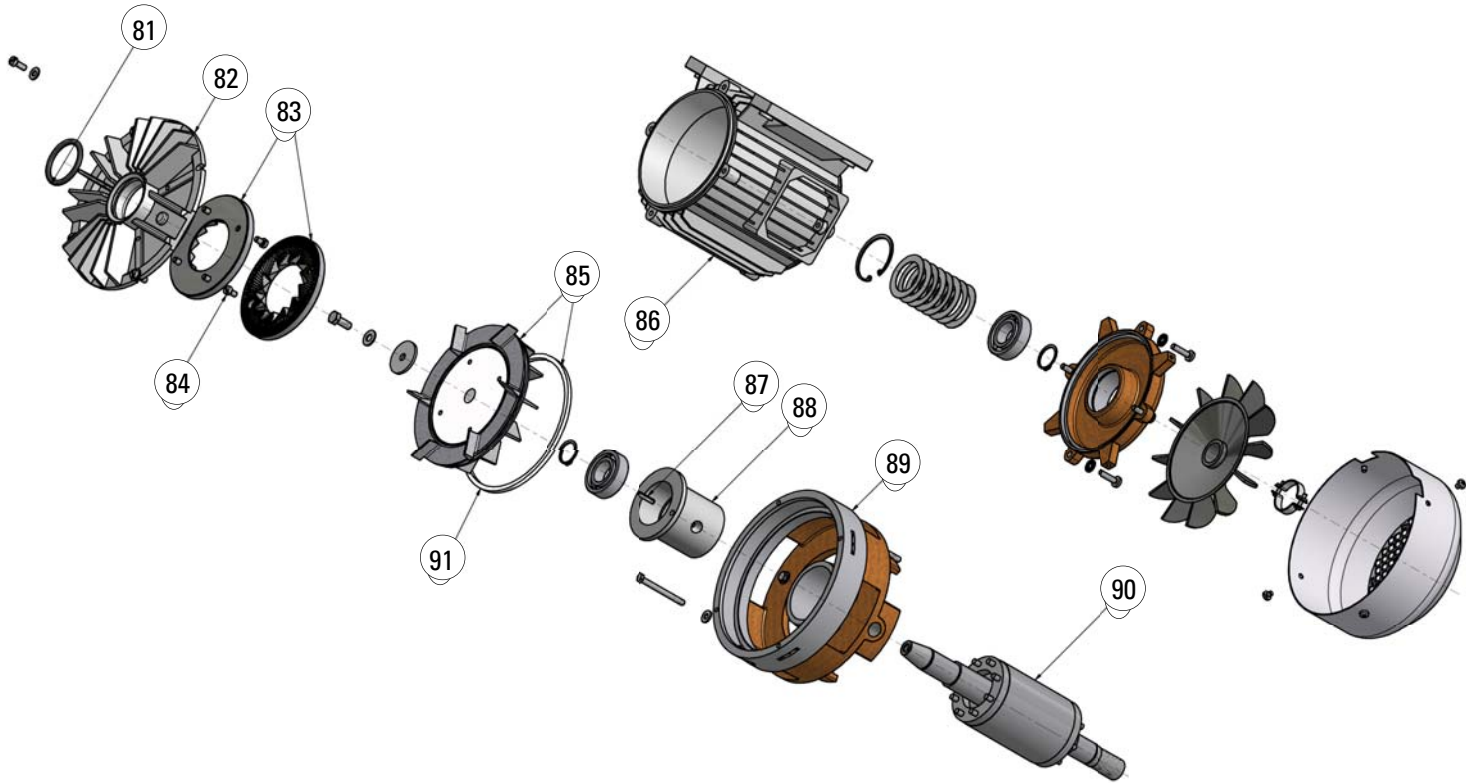
Type: KFA 1403, 220-240V 50Hz Industrial

ARTICLE NO.	DRAWING NO.	DESCRIPTION	QUANTITY
230049	36	Collar	1
243585	37	Slider complete	1
250319	38	Screw ISO 4017-M8x20, 8.8	4
251521	39	Lock washer M8 DIN 6798 A zincked	4
220098	42	Discharge tube extension	1
230147	43	Tube	1



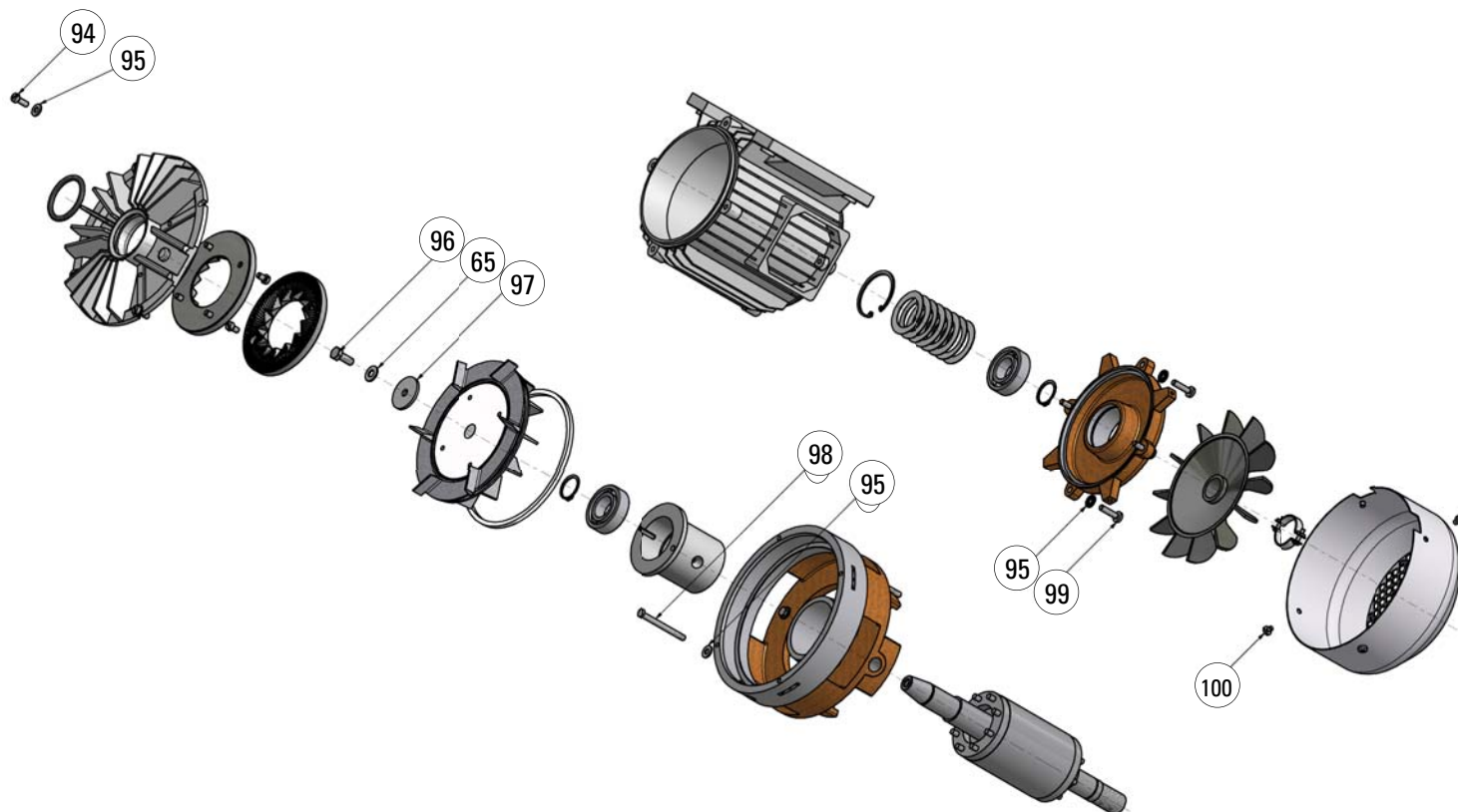
Type: KFA 1403, 220-240V 50Hz Industrial

ARTICLE NO.	DRAWING NO.	DESCRIPTION	QUANTITY
251516	41	Washer M4	4
240234	61	Ground plate	1
251004	62	Hexagonal nut M4x0.8d DIN 934	2
250408	78	Screw ISO 1207-M4x14 zincked	2
241340	71	Bottom panel	1
240918	72	Rubber foot	4
256403	75	Jointing strip 6.3 8 pole	1
257111	77	Overcurrent Protector Switch 3-pole 3x12 A	1



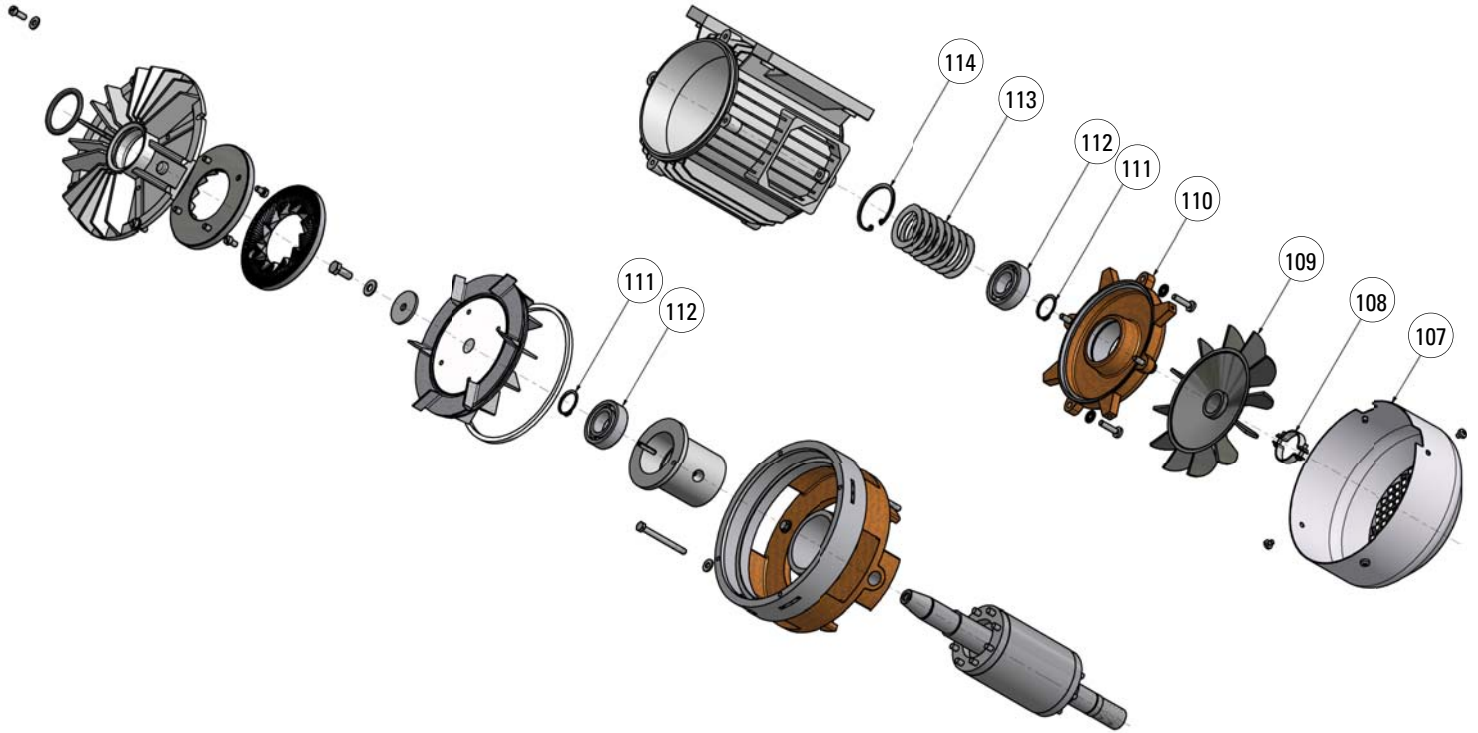
Type: KFA 1403, 220-240V 50Hz Industrial

ARTICLE NO.	DRAWING NO.	DESCRIPTION	QUANTITY
255501	81	O-ring 5.34x43.82	1
220046	82	Stationary disc flange Ø 140 with slider	1
275700	83	Grinding disc set Ø 140	1
250484	84	Screw ISO ISO 1207-M6x10 A2	8
240490	85	Rotating disc flange Ø 140, with felt ring	1
240576	86	Stator pre-assembled	1
254405	87	Rollpin 5x24 VSM 12785	1
240124	88	Ball bearing sleeve	1
210027	89	Housing	1
230052	90	Rotor shaft	1
240000	91	Felt ring	1



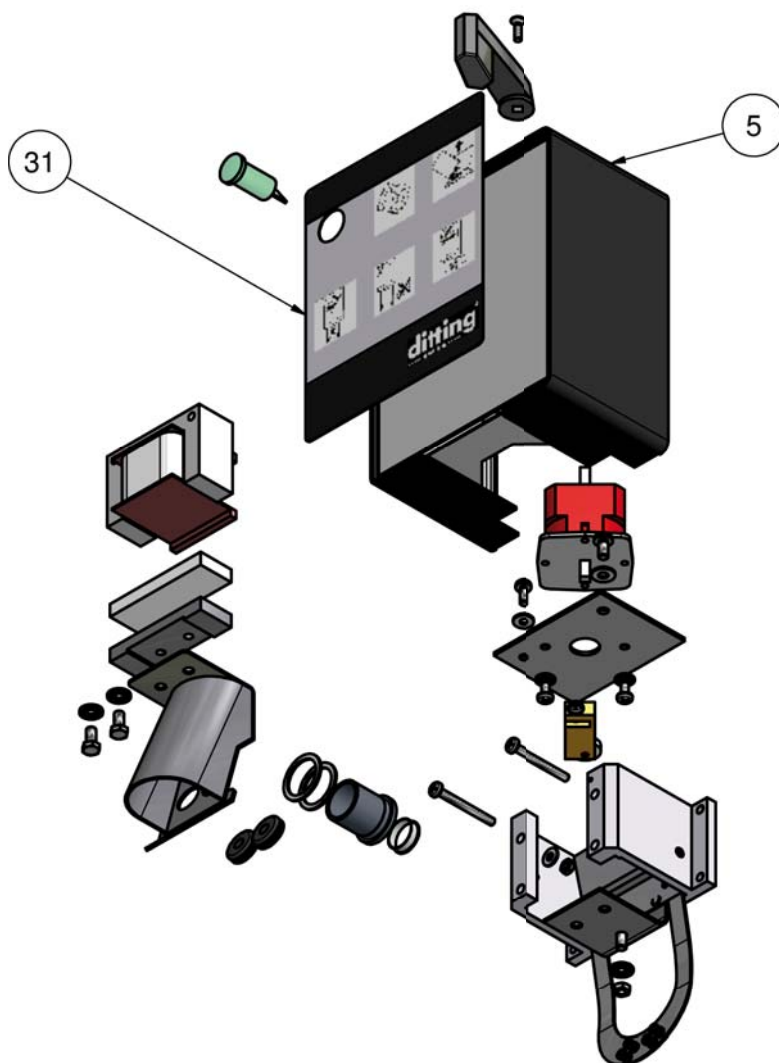
Type: KFA 1403, 220-240V 50Hz Industrial

ARTICLE NO.	DRAWING NO.	DESCRIPTION	QUANTITY
251536	65	Washer M8 Geomet 500	1
250422	94	Screw ISO 1207-M6x16 zincked	4
251518	95	Washer M6, Geomet 500	11
250332	96	Screw ISO 4017-M8x20 A2	1
242890	97	Washer D38/8.1x3	1
250312	98	Screw ISO 4014-M6x65 zincked	3
250424	99	Screw ISO 7048-M6x25 Ks H zincked	4
250413	100	Screw ISO 7048-M5x6 Ks H zincked	4



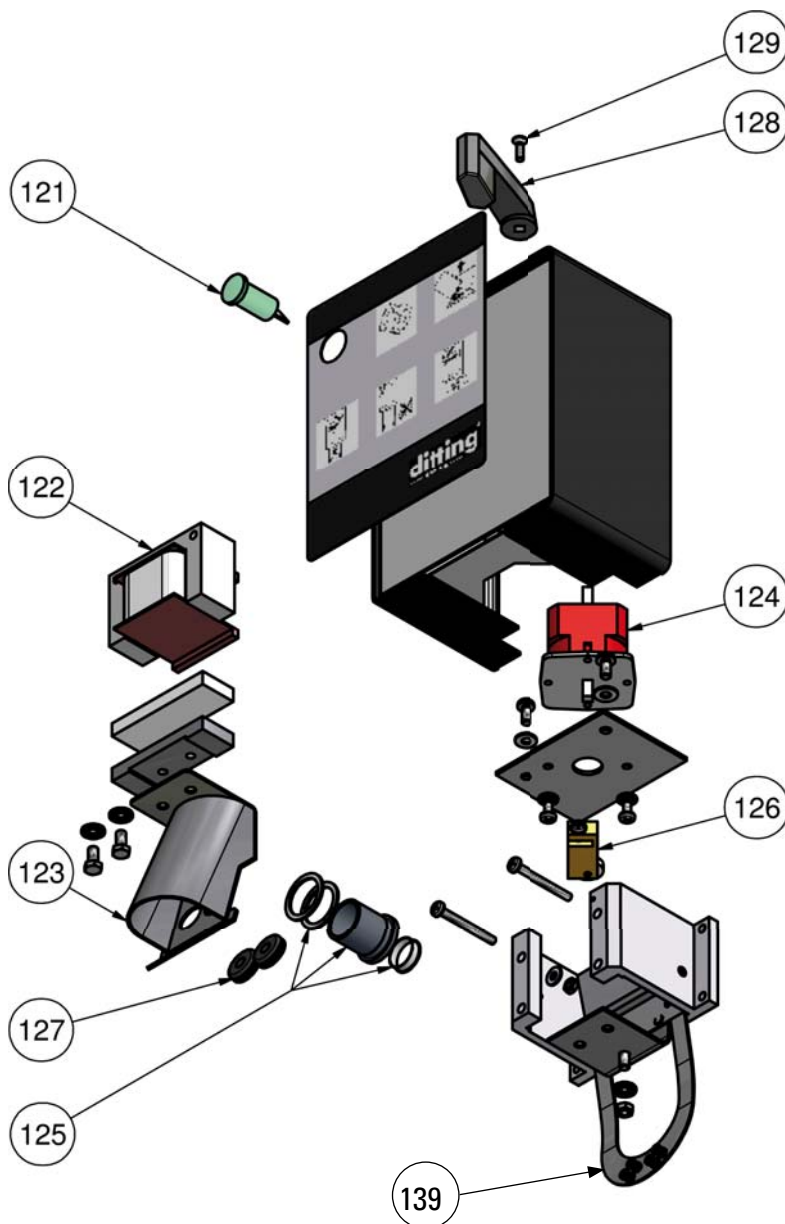
Type: KFA 1403, 220-240V 50Hz Industrial

ARTICLE NO.	DRAWING NO.	DESCRIPTION	QUANTITY
240189	107	Ventilation hood	1
254806	108	Clamp collar D 37.5x9	1
255900	109	Fan blade V 100R	1
230053	110	Bearing support housing	1
252014	111	Circlip 25Ax1.2 DIN 471	2
254002	112	Ball bearing 6205.2ZR 25x52x15	2
252405	113	Plate spring 51.5x35.5x0.6/1.50	8
252013	114	Circlip 52ix2 DIN 472	1



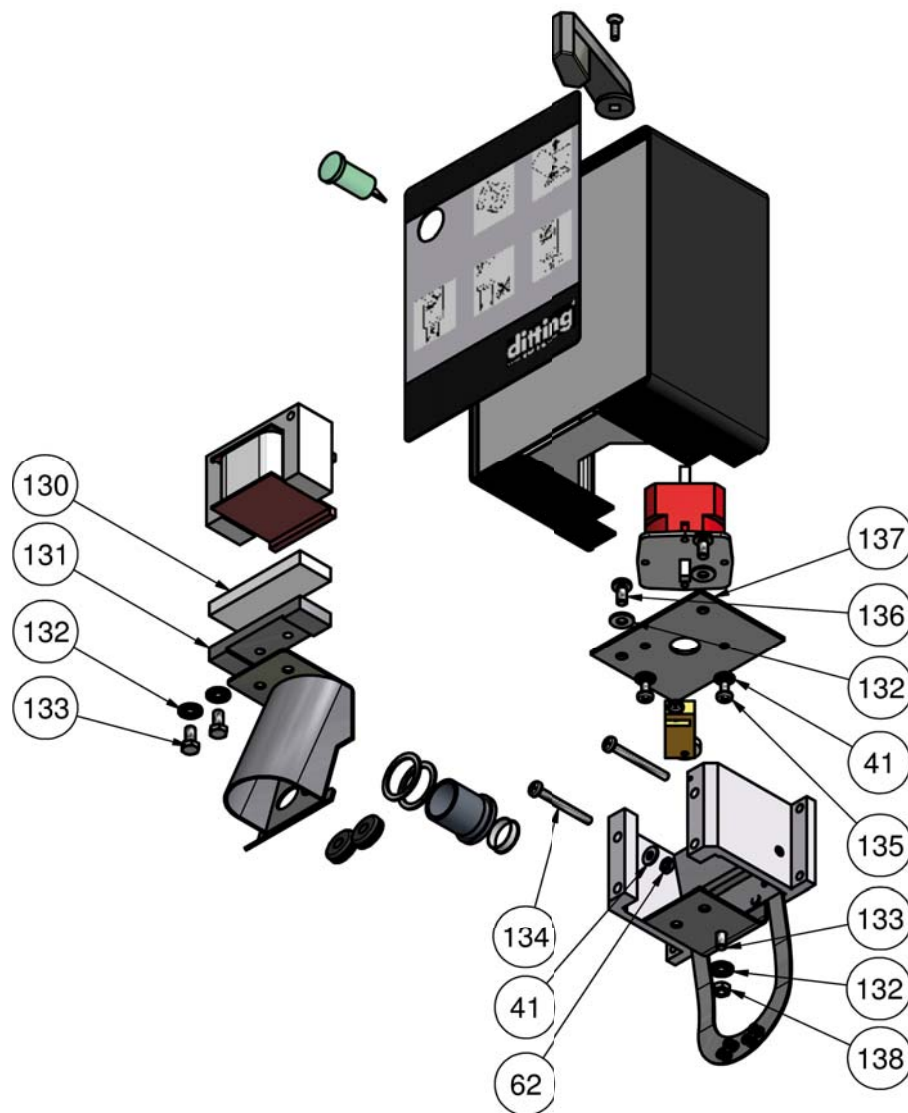
Type: KFA 1403, 220-240V 50Hz Industrial

ARTICLE NO.	DRAWING NO.	DESCRIPTION	QUANTITY
241832	5	Discharge housing, brown colour	1
241833	5	Discharge housing, black colour	1
241834	5	Discharge housing, red colour	1
230100	31	Operating panel KFA/KFR, german language	1
230102	31	Operating panel KFA/KFR, english language	1
	31	Operating panel, differrent language	



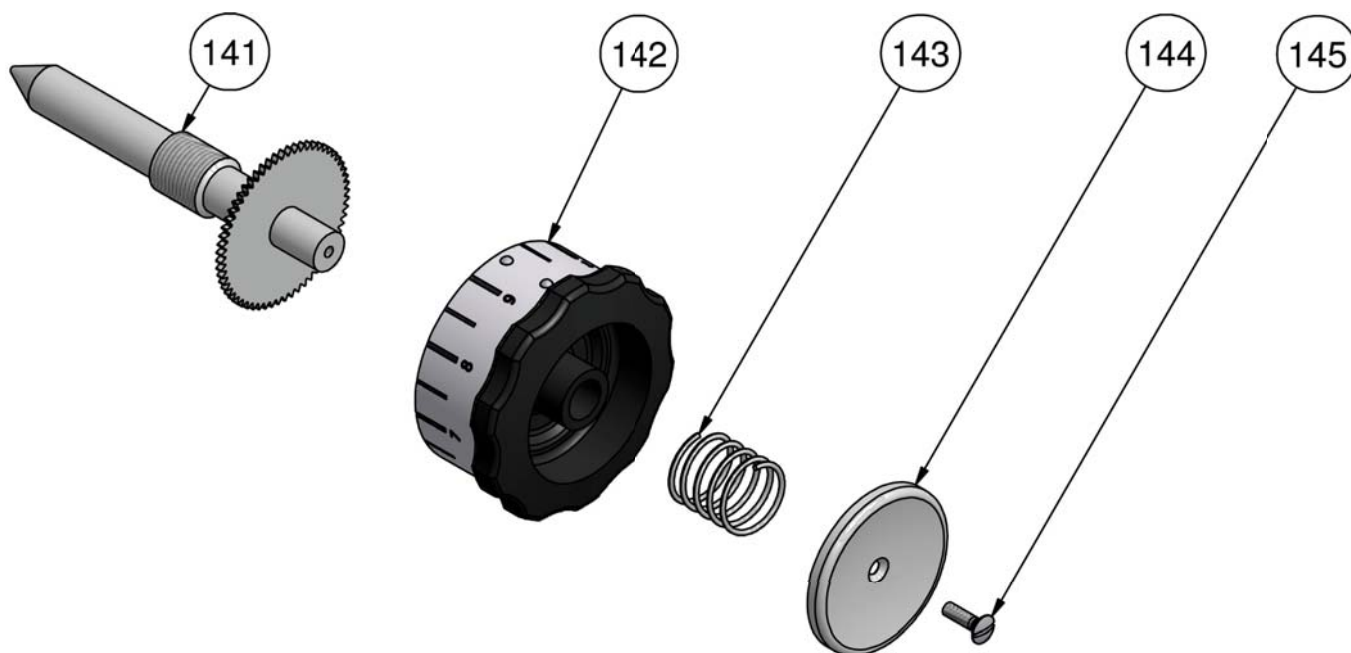
Type: KFA 1403, 220-240V 50Hz Industrial

ARTICLE NO.	DRAWING NO.	DESCRIPTION	QUANTITY
257604	121	Pilot lamp 230V green	1
240496	122	Magnet EJ 66 220V KFA/KFR	1
240080	123	Discharge tube	1
257400	124	Camshaft switch 3 pole 32A	1
240197	125	Rubber tube assembly	1
240493	126	Handle	1
255703	127	Rubber buffer	2
240239	128	Switch handle	1
250213	129	Screw ISO 2010-M3.5x12 zincked	1
240491	139	Long bag holding spring	1



Type: KFA 1403, 220-240V 50Hz Industrial

ARTICLE NO.	DRAWING NO.	DESCRIPTION	QUANTITY
251516	41	Washer M4 zincked	4
251004	62	Nut M4x0.8d DIN 934 zincked	2
240421	130	Foam rubber	2
240247	131	Anchor	1
251517	132	Washer M5, Geomet 500	5
250305	133	Screw ISO 4017-M5x10 zincked	3
250411	134	Screw ISO 1207-M3x14 zincked	2
250427	135	Screw ISO 7045-M4x8 Ks H zincked	2
250431	136	Screw ISO 7045-M5x10 Ks H zincked	2
240240	137	Mounting plate	1
251005	138	Nut M5x0.8d DIN 934 zincked	1



Type: KFA 1403, 220-240V 50Hz Industrial

ARTICLE NO.	DRAWING NO.	DESCRIPTION	QUANTITY
240488	141	Adjusting cone	1
241276	142	Adjusting knob, german language	1
240536	142	Adjusting knob, english language	1
	142	Adjusting knob, different language	1
240078	143	Spring F/UG/804-1403	1
240034	144	Cover F/UG/804-1403	1
250200	145	Screw ISO 2010-M4x14	1