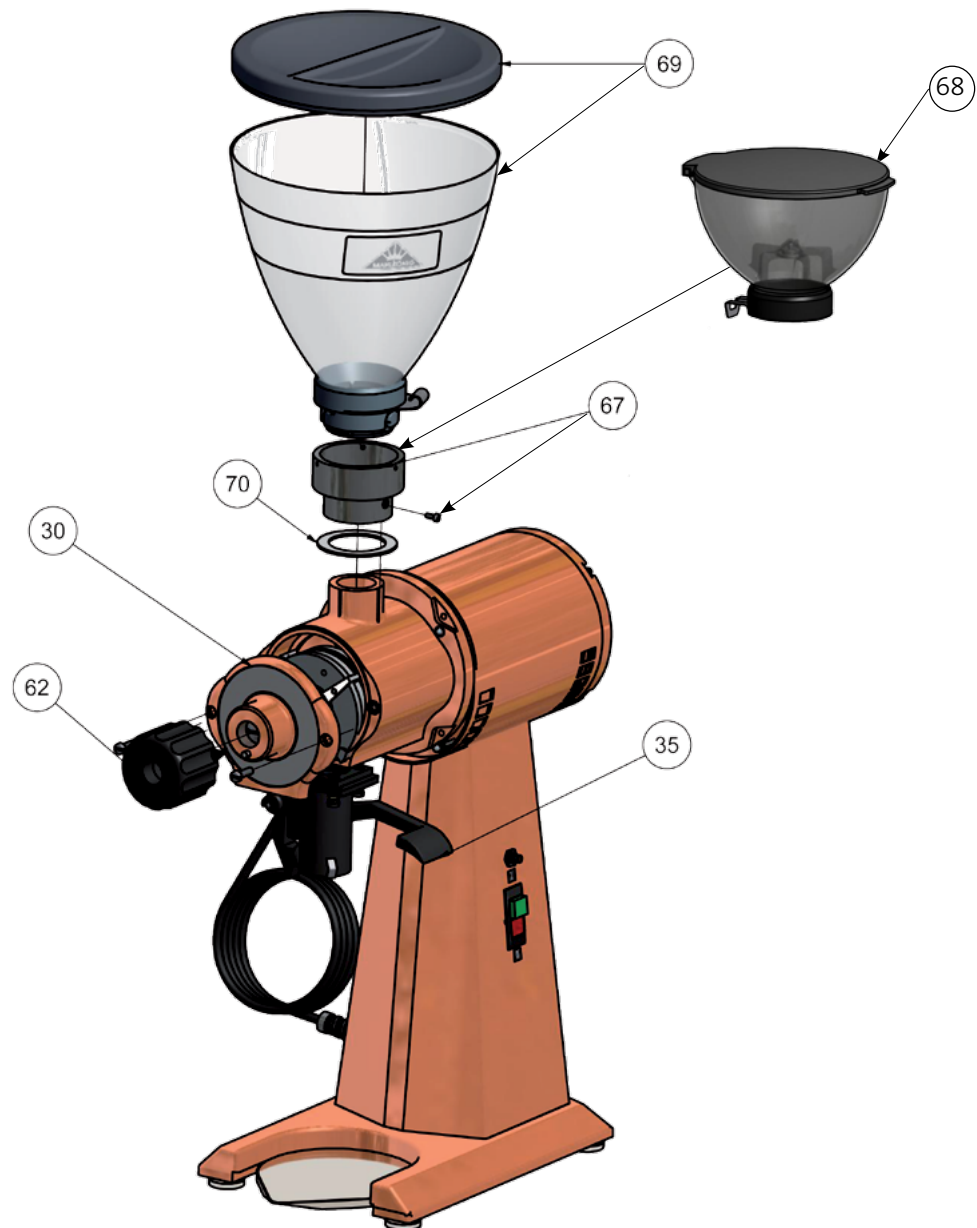


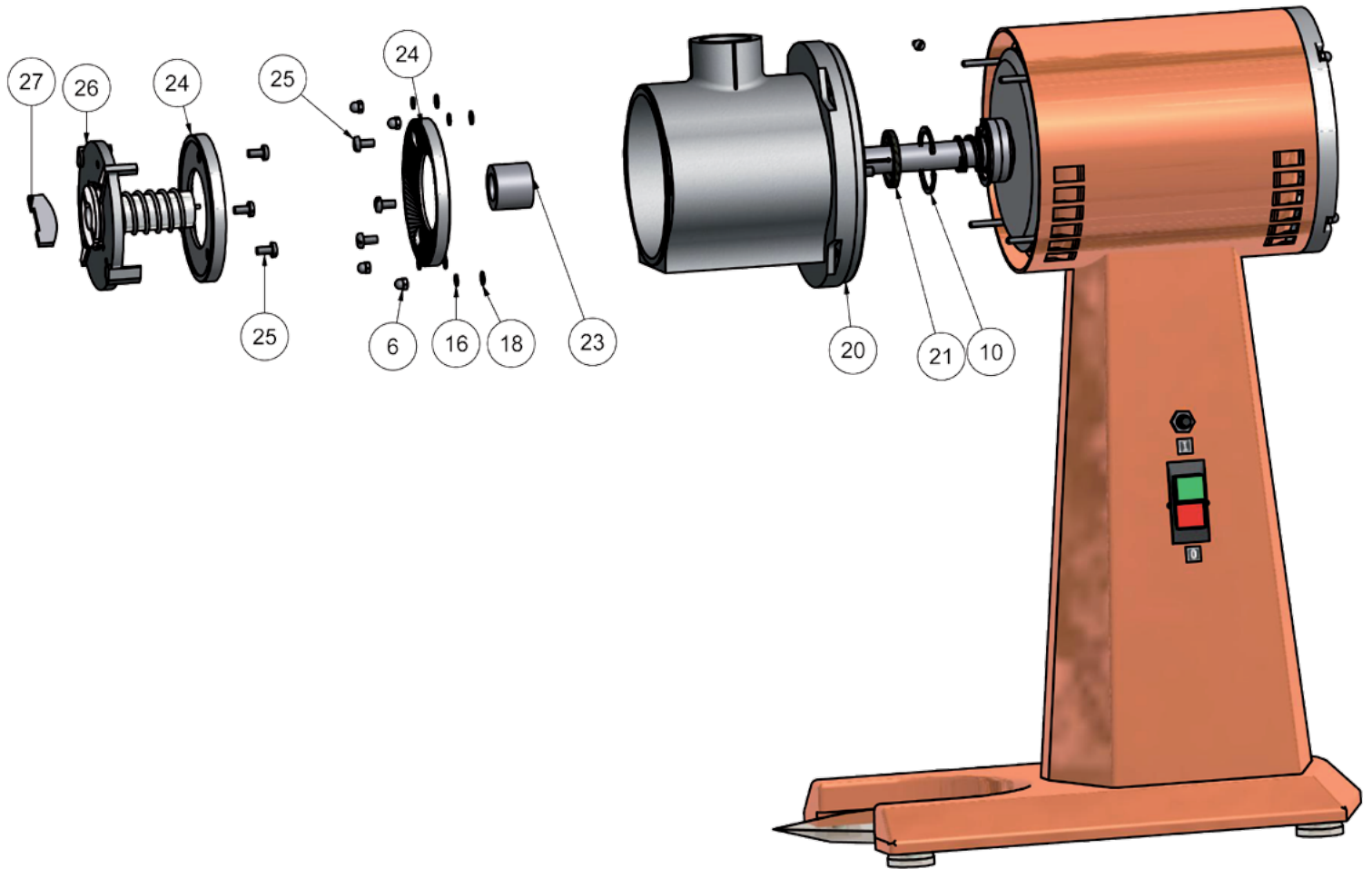
Valid from 01st April 2015
 Supersedes all previously issued spare parts lists

Subject to change without prior notice.



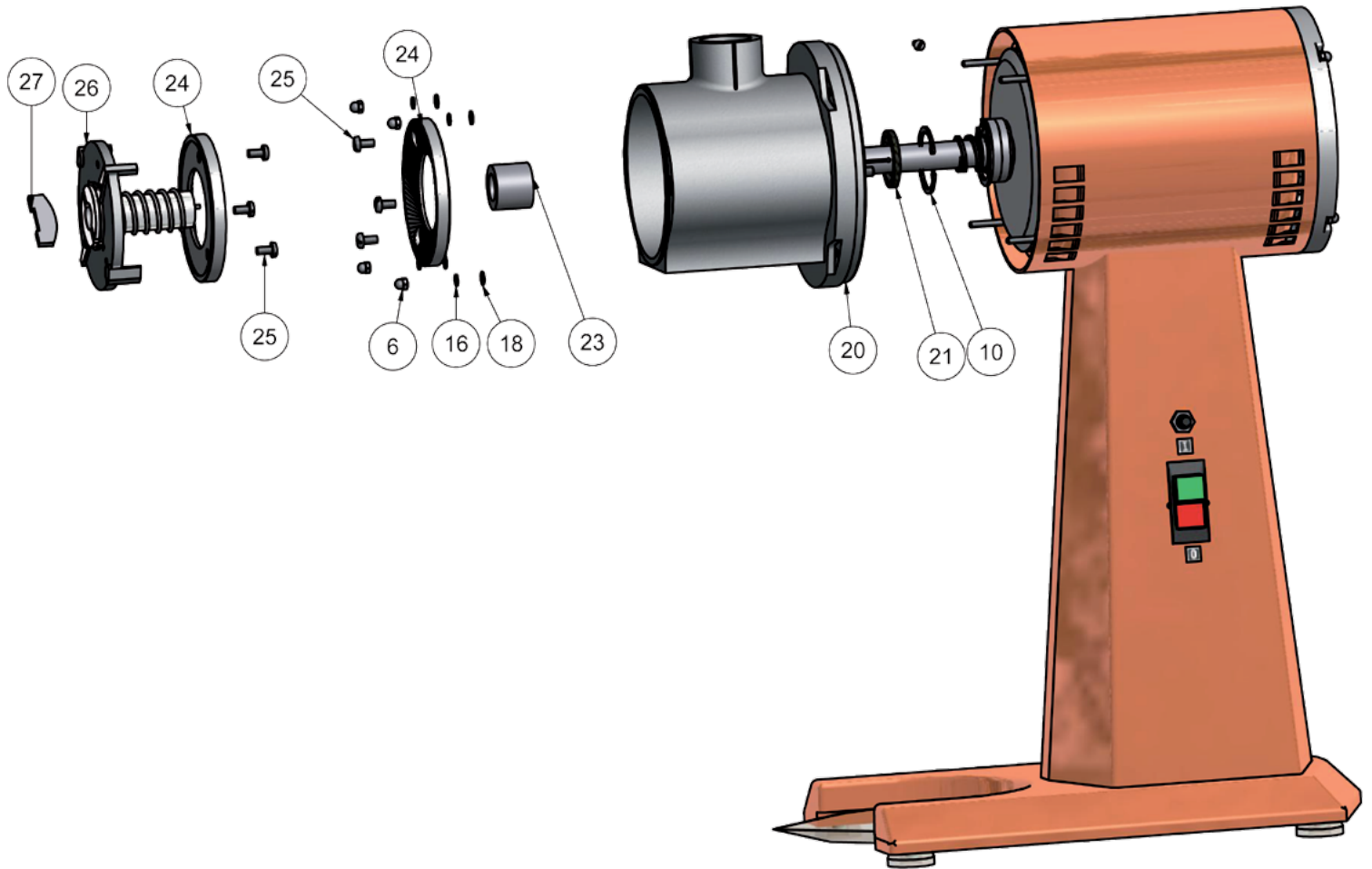
Model: EK 43 220-240V 50/60Hz

ARTICLE NO.	DRAWING NO.	DESCRIPTION
306156	30	Grinder housing lid 43 compl. coffee-poppy seed-linseed flank leed
300279	35	Bag holder with spout
305457	62	Adjustment cap complete black EK44
100690	67	Hopper adapter EK43 compl. for K30 hopper
101388	68	Hopper 500g complete with slider
309559	69	Hopper 1,5kg complete transparent with lid
101735	(69)	Hopper 1,5kg complete black matt coated with lid
311010	70	Seal ring 70x50x2



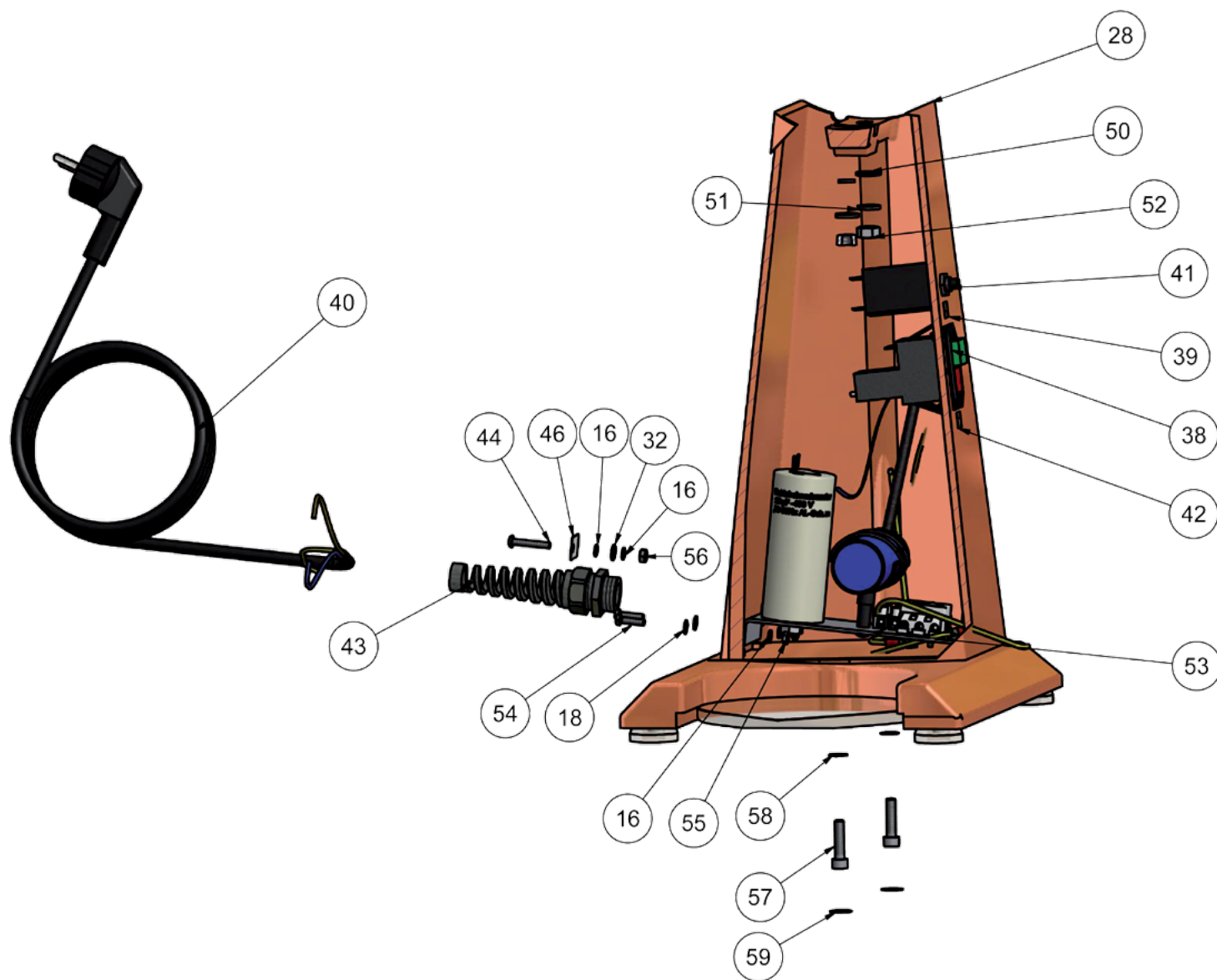
Model: EK 43 220-240V 50/60Hz

ARTICLE NO.	DRAWING NO.	DESCRIPTION
305547	6	Hex nut hat high DIN1587 M4 6 gal Zn
301754	10	retaining ring I42 x 1,75 DIN472A (Seeger)
305515	16	Spring washer DIN127 A4 gal Zn
305647	18	Washer DIN125 A4,3 gal Zn
305776	20	Grinder casing painted, with feltring and washer (STATE COLOUR)
300992	21	Felt ring 38/30 x 4 Neu-Filz 219 meliert spez. 0,2
300953	23	Distance bush, K43 St. 1.4305 30/18H7 x 18mm
303931	24	Grinding disc set EK43 / EKK43 coffee & spices
303939	(24)	Grinding disc set EK43T / EKK43T coffee turkish fine
303937	(24)	Grinding disc set EL43 / ELL43 linseed
303933	(24)	Grinding disc set EM43 / EMM43 poppy seed
303935	(24)	Grinding disc set EG43 / EGG43 grain



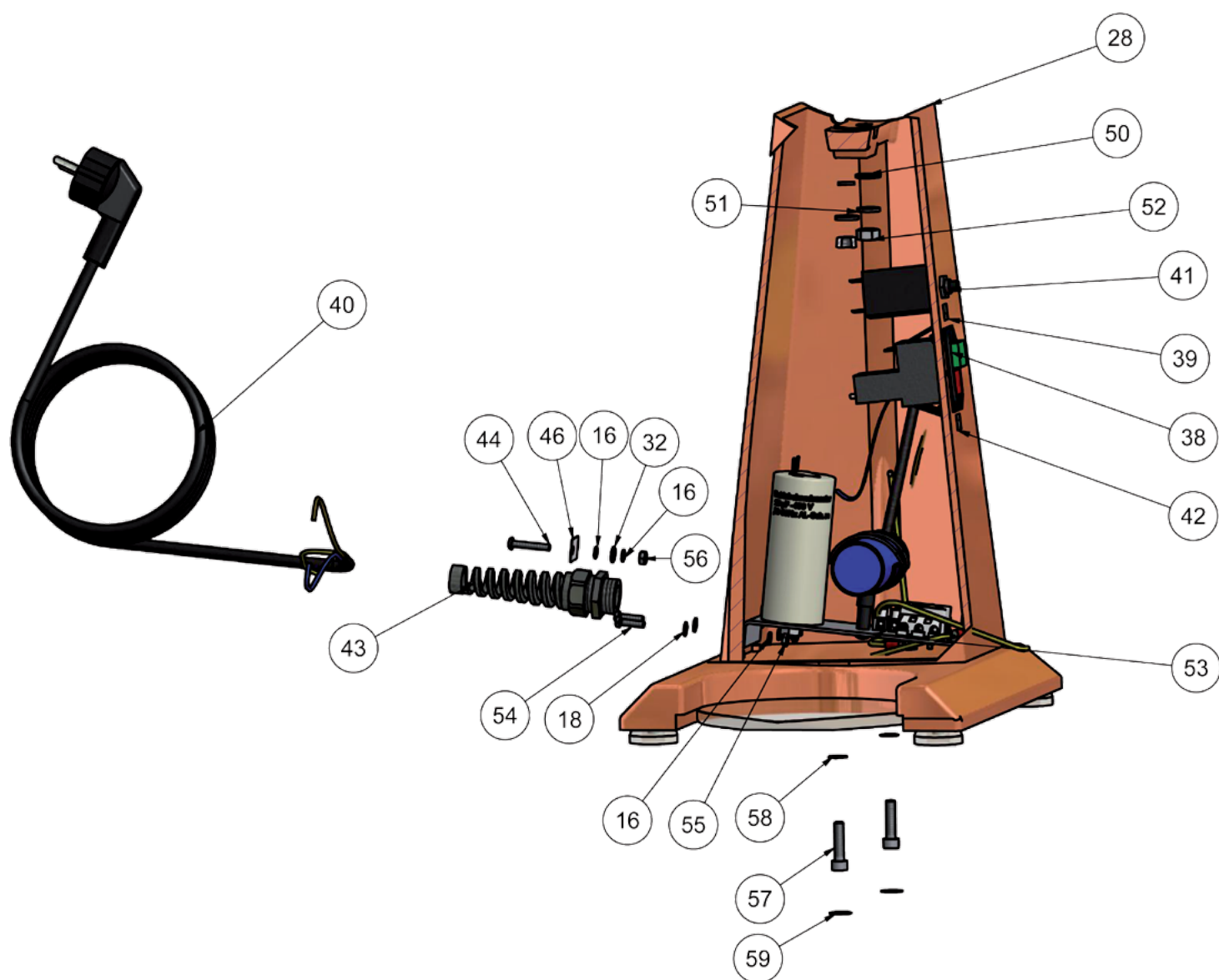
Model: EK 43 220-240V 50/60Hz

ARTICLE NO.	DRAWING NO.	DESCRIPTION
301276	25	Pan head screw DIN85 M5x10 A2
300115	26	Pre-breaker complete with feed-worm for coffee (50Hz)
300117	(26)	Pre-breaker complete with feed-worm for coffee (60Hz & turkish fine)
300116	(26)	Pre-breaker complete with feed-worm for spices, poppy seed, linseed, grain (50/60Hz)
300681	27	Shear plate K43 #AlMg3 1/2-hart #(44 piece/board)



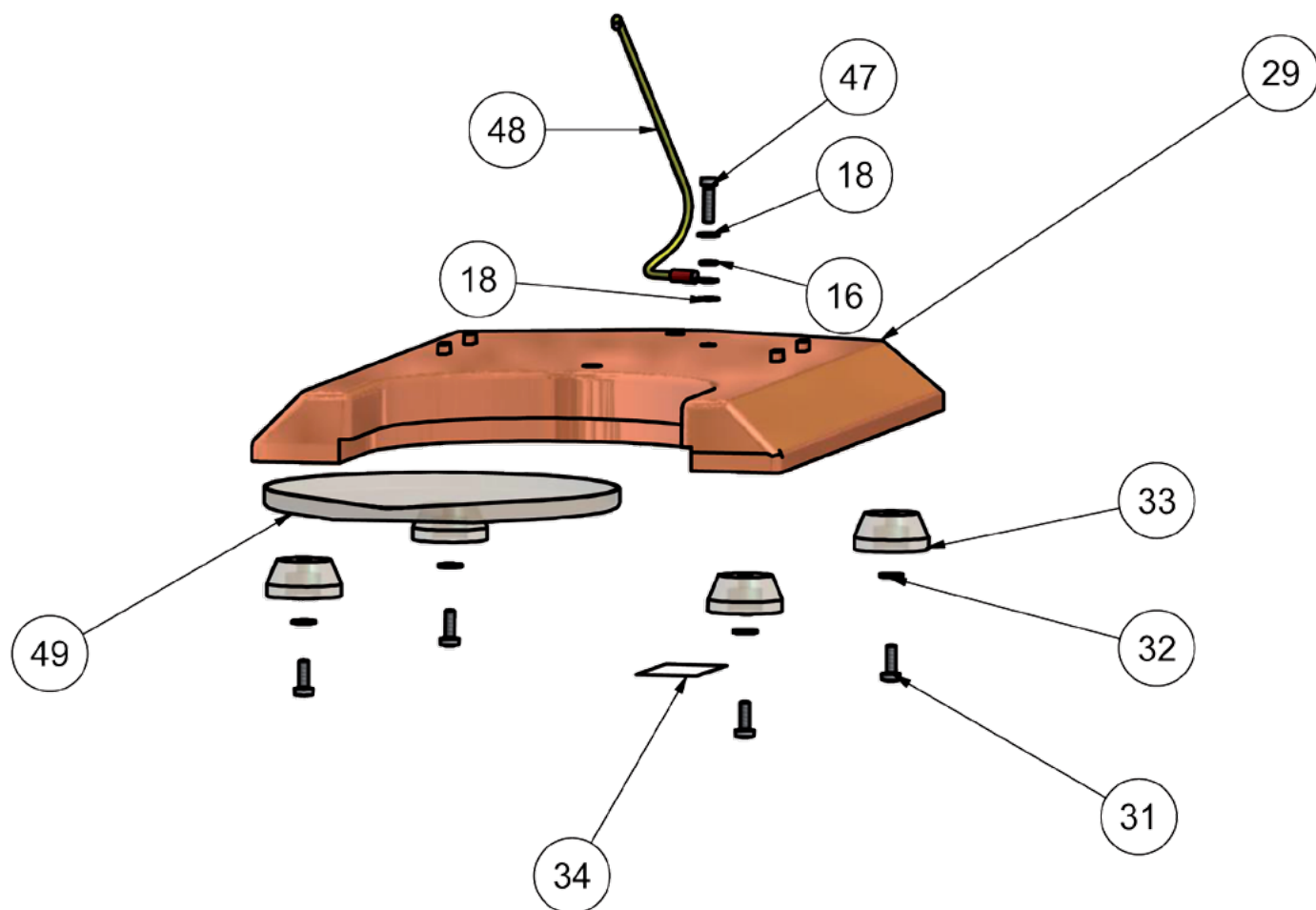
Model: EK 43 220-240V 50/60Hz

ARTICLE NO.	DRAWING NO.	DESCRIPTION
305515	16	Spring washer DIN127 A4 gal Zn
305647	18	Washer DIN125 A4,3 gal Zn
300169	28	grand base alu chill casting alloying 231
305648	32	Washer DIN125 A5,3 gal Zn
302375	38	Switch ON - OFF
301817	39	Label I
302025	40	Power cord with plug, 230 V
302223	41	Current overload protection 7A
301818	42	Lable O
301209	43	screwed cable gland PG16, Knickschutzsp. Skintop BS
301182	44	Safety screw 4 x 25 A2 ISO 50500
301876	46	Sign „protective earth“
305650	50	Washer DIN125 A8,4



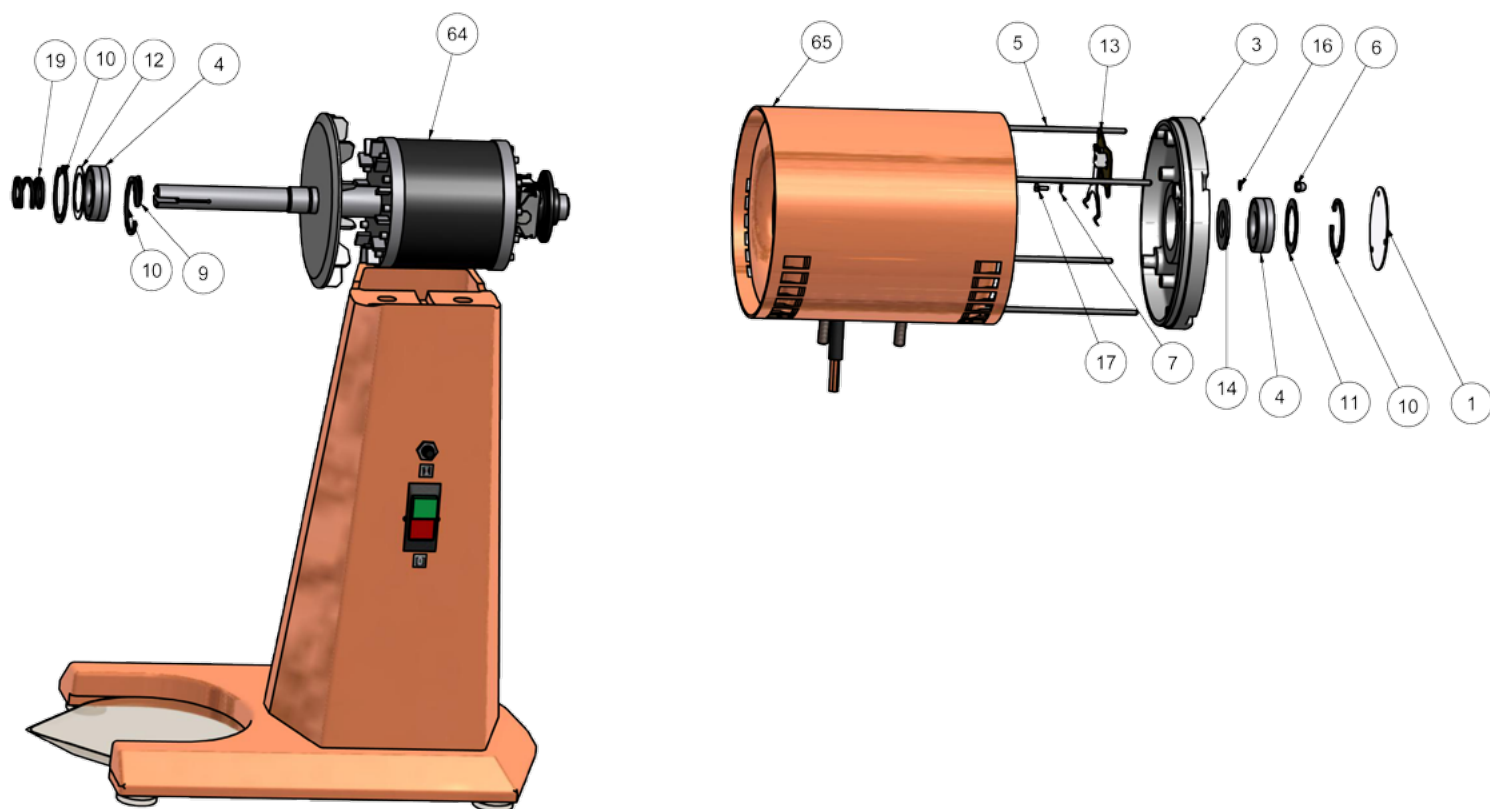
Model: EK 43 220-240V 50/60Hz

ARTICLE NO.	DRAWING NO.	DESCRIPTION
301632	51	Spring ring, zn. A8 DIN127
301658	52	hexagon thin nut DIN934 M8 - 8 - VZ
305897	53	mounting plate, with electr. Components 230 V
301356	54	flat head screw M4 x 16 DIN85 4.8
305542	55	nut 6kt EN24 032 (DIN934) M4 6 gal Zn
301636	56	hex nut EN24 032 (DIN934) M5 gal Zn
301386	57	cylinder screw M6 x 25 DIN912 8.8 zn.
301389	58	Spring washer zn. B6 DIN137
301749	59	shim ring 8x14x0,5 DIN988



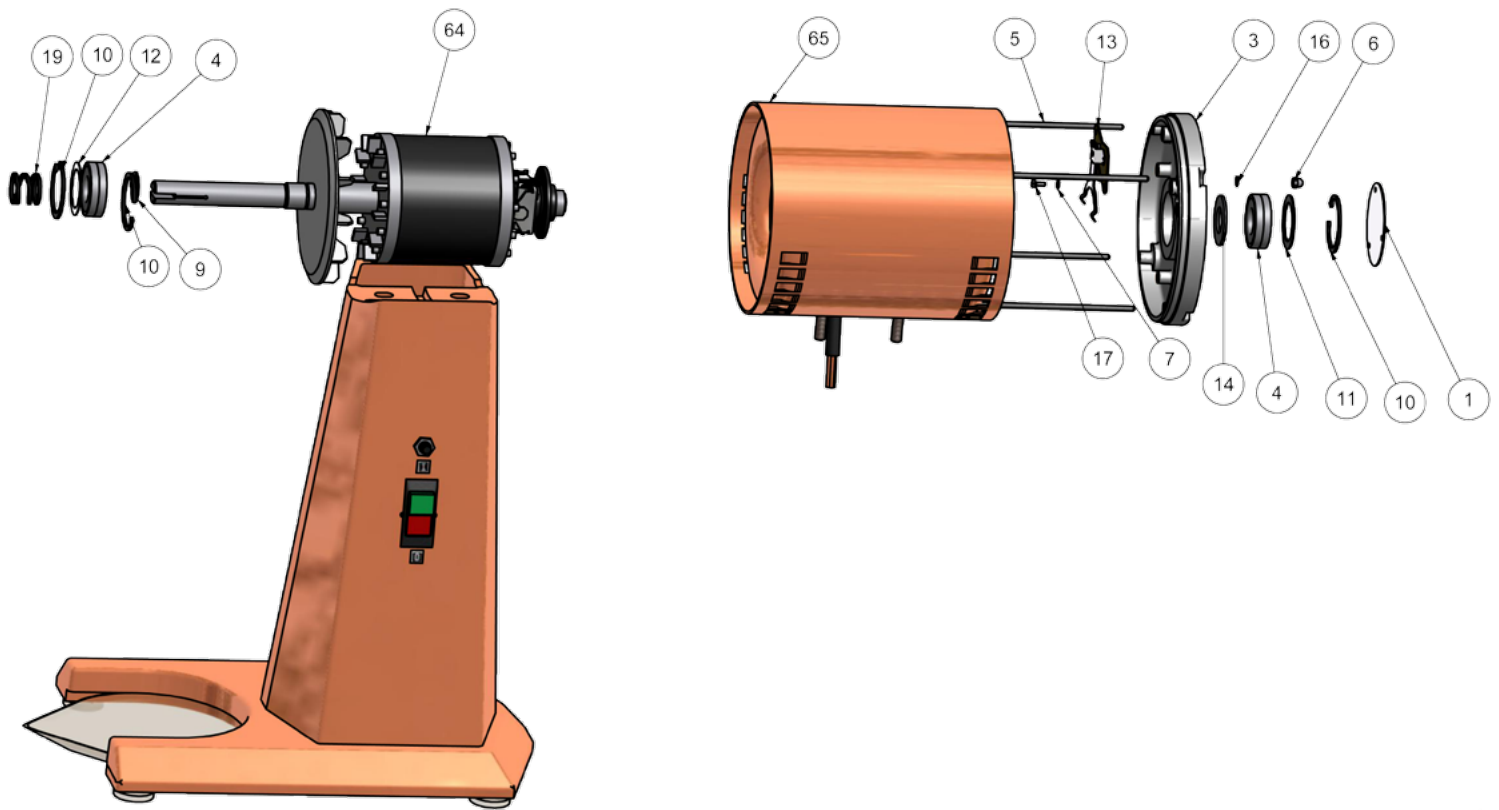
Model: EK 43 220-240V 50/60Hz

ARTICLE NO.	DRAWING NO.	DESCRIPTION
305515	16	Spring washer DIN127 A4 gal Zn
305647	18	Washer DIN125 A4,3 gal Zn
302008	19	pressure spring efv.IV 2,5/24,5x18/3,5 Win.
305039	29	Base plate EK43 (STATE COLOUR)
301512	31	Fillister head screw M4 x 12 DIN7985 4.8 zn.
305648	32	Washer DIN125 A5,3 gal Zn
302763	33	foot. Plastic
305398	34	„label“ pull power
305615	47	cylinder screw DIN84 M4x16 4.8 gal Zn
302079	48	ground cord 1,00 BetaTherm green/yellow (UL)
300486	49	tray (tinted glass color)



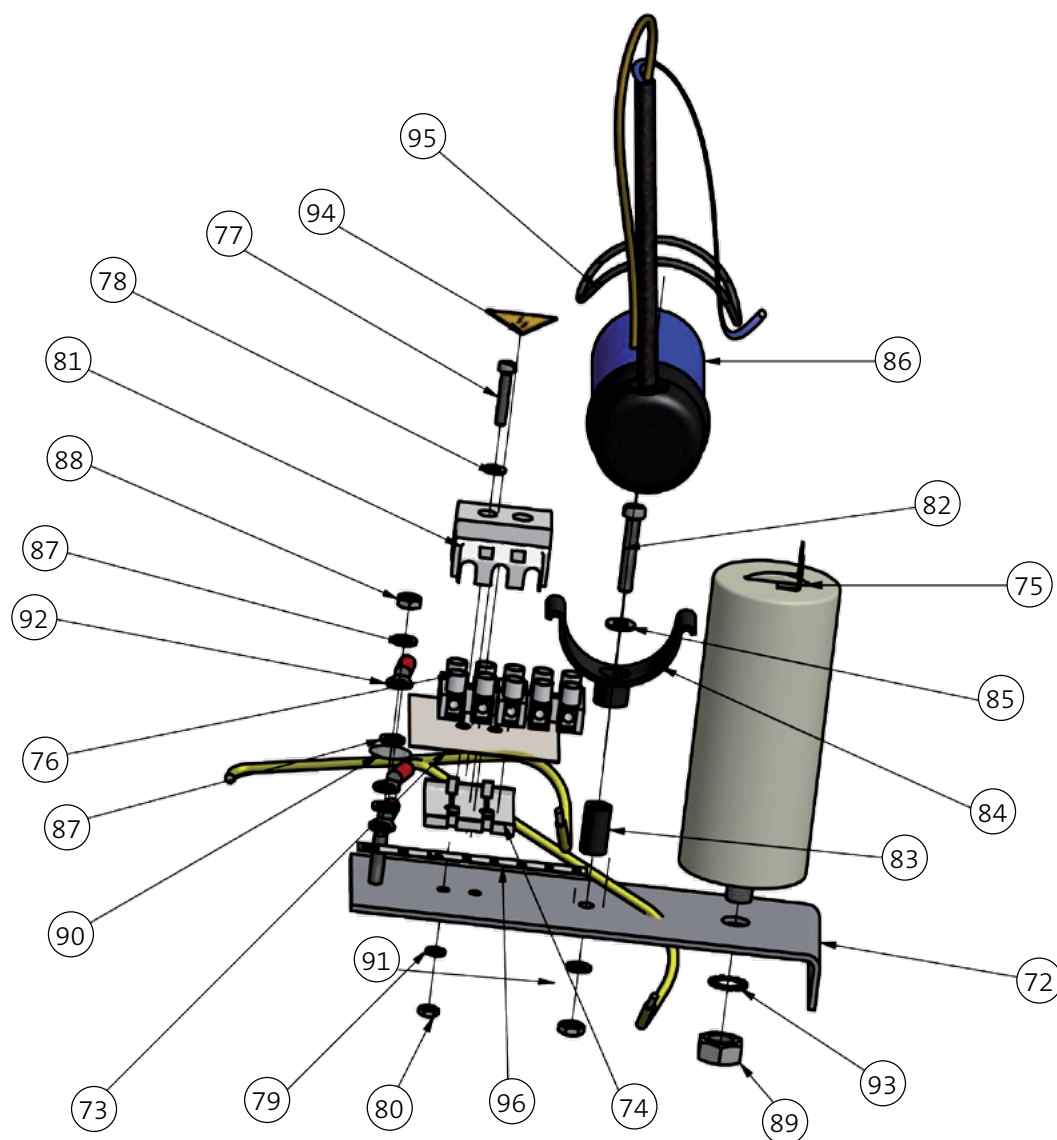
Model: EK 43 220-240V 50/60Hz

ARTICLE NO.	DRAWING NO.	DESCRIPTION
300685	1	Cover
300220	3	Bearing plate K43 painted
301016	4	Deep groove ball bearing 6004-ZZ
301515	5	Bolt BM4 x 220 DIN976 4.6
305547	6	Hex nut hat high DIN1587 M4 6 gal Zn
301602	7	Lock washer DIN127 A3 gal Zn
301691	9	Retaining ring A 20 L
301754	10	Retaining ring I42 x 1,75 DIN472A (Seeger)
301725	11	Shim ring 25x35x0,5 DIN988B (Seeger)
301762	12	Compression spacer 30x41x0,5 DIN???
305472	13	Centrifugal switch fixed EK43
302549	14	Ball bearing disc 38,8 x 20 x 2mm #für Elnor-270CI
305515	16	Spring washer DIN127 A4 gal Zn



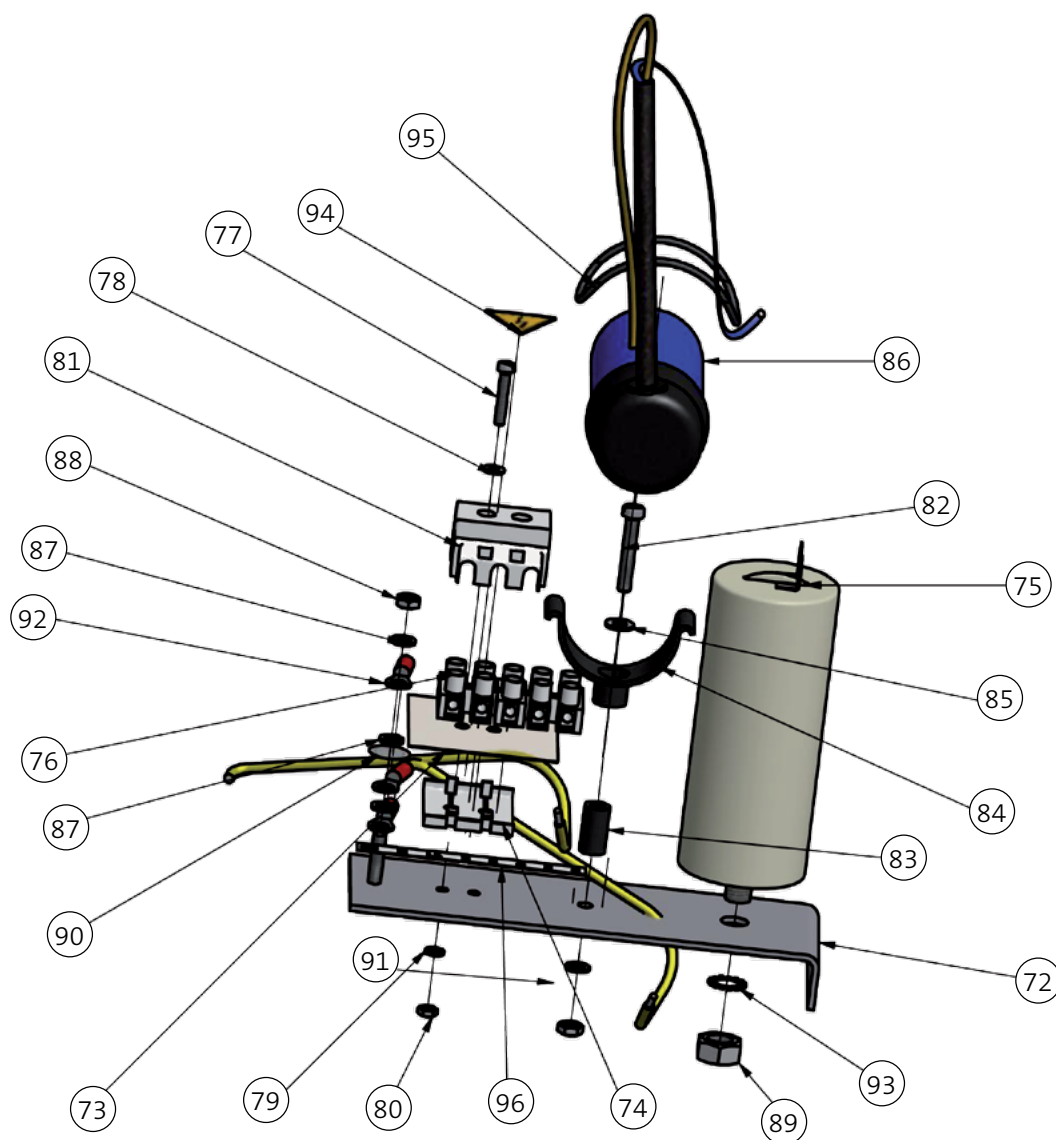
Model: EK 43 220-240V 50/60Hz

ARTICLE NO.	DRAWING NO.	DESCRIPTION
305612	17	cylinder screw DIN84 M3x8 4.8 gal Zn
302008	19	pressure spring efv.IV 2,5/24,5x18/3,5 Win.
302591	64	Teilemotor mitBolzen M8, 385CP 230V/50Hz K43
302591	65	Teilemotor mitBolzen M8, 385CP 230V/50Hz K43



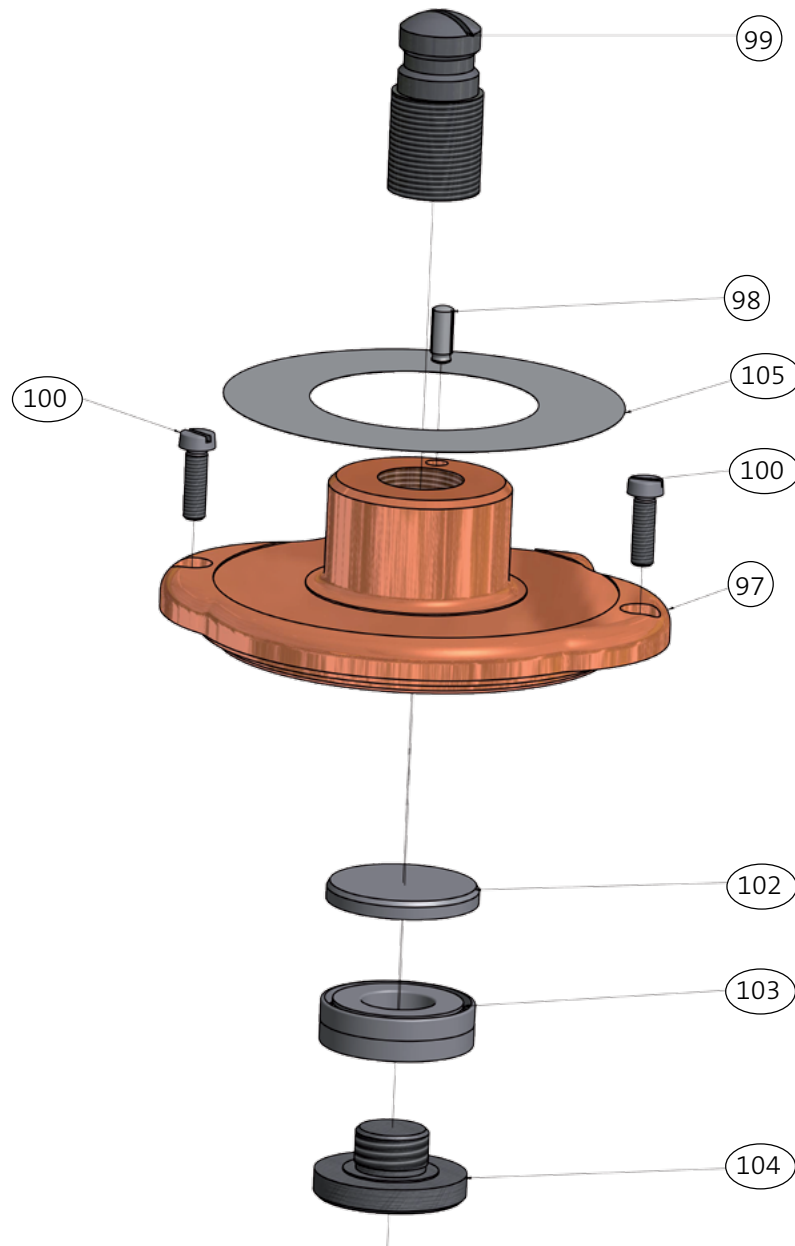
Model: EK 43 220-240V 50/60Hz

ARTICLE NO.	DRAWING NO.	DESCRIPTION
303829	72	mounting plate K43
302176	73	Isolation piece
302497	74	base plate B 323/03 Id.-Nr. 200033 #for Klemmleis
309653	75	Running capacitor 25 μ F-450 V,50-60Hz
302460	76	terminal strip-PA 323/ HDS/08, 8-pol.
301277	77	cylinder screw M3 x 18 DIN84 #4.8 zn
305644	78	washer DIN125 A3,2 gal Zn
301602	79	lock washer DIN127 A3 gal Zn
305541	80	nut 6kt EN24 032 (DIN934) M3 6 gal Zn
302498	81	cover cap A 323/03 Id.-Nr. 200034 for Klemmleis
301463	82	Flat head screw M4x25
300964	83	distance roll Polystyrol black 4,5/D 8,0
302749	84	fixing dip C3 #Polyamid 6, black



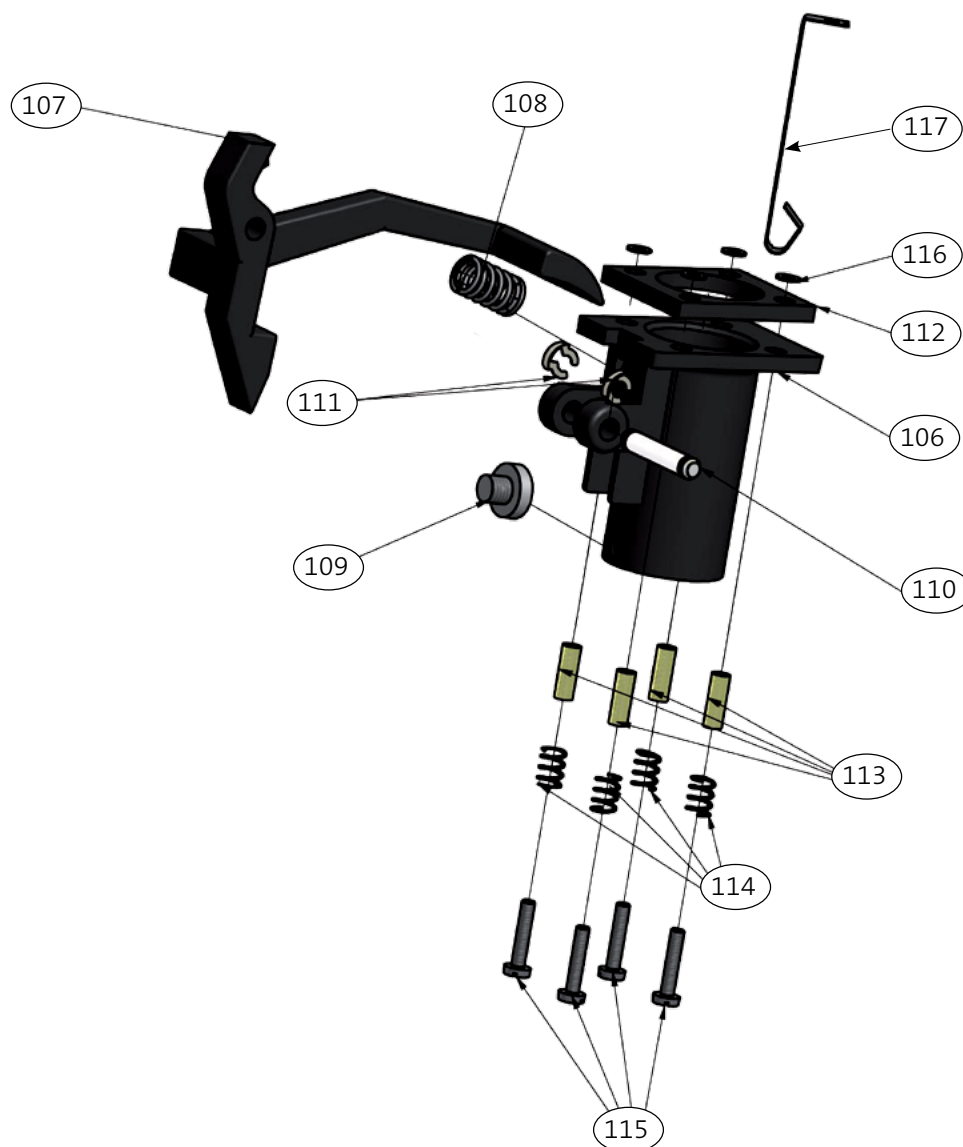
Model: EK 43 220-240V 50/60Hz

ARTICLE NO.	DRAWING NO.	DESCRIPTION
305647	85	Washer DIN125 A4,3 gal Zn
302204	86	Starting capacitor 180 μ F
305515	87	Spring washer DIN127 A4 gal Zn
305542	88	nut 6kt EN24 032 (DIN934) M4 6 gal Zn
301658	89	hexagon thin nut DIN934 M8 - 8 - VZ
301825	90	ground label Nr. 015.321 #dry pic D=12"
302079	91	ground cord 1,00 BetaTherm green/yellow (UL)
302477	92	cable lug, ring RSQ 7153 o.Iso. A 4-1
307033	93	serrated lock washer M8 DIN 6798A zinc-plated
301900	94	electrical security label 23,7 x 20,5 mm dry-transfer
302750	95	strap R6 PVC black
301966	96	marking lable PE N L1



Model: EK 43 220-240V 50/60Hz

ARTICLE NO.	DRAWING NO.	DESCRIPTION
300224	97	Grinding housing lid 43 coffee-poppy seed & linseed
301247	98	Notched pin 6 x 16 DIN1470 9SMnPb28K,
300950	99	Grind adjustment spindle K33 (Niro) #M25x 0,7
305621	100	Cylinder screw DIN84 M6x20 4.8 gal Zn
300945	102	Thrust washer 9S20K 37,5 x 41,5 x 5mm
301016	103	Deep groove ball bearing 6004-ZZ
300949	104	Ball bearing seat K33 9S20K blk. Y41,5x19m D=41,5x19
102691	105	Grinding scale for EK43 0.1 steps



Model: EK 43 220-240V 50/60Hz

ARTICLE NO.	DRAWING NO.	DESCRIPTION
300278	106	Spout
300280	107	Handle #Ultramid PA black #(B3K/4
301982	108	Pressure spring d=2,0 nickel plated
302741	109	Rubber buffer, black
300915	110	Cylinder pin #8h11x45mm,mit2 Nuten #beidseitig ge
301190	111	Fuse
302803	112	Outfeed stuffing, black #60x52/4+1,0 D
300880	113	Bush 20mm
301988	114	Spiral spring 9,5x13,0 #Federst. Kl.II
301340	115	Flat head screw DIN85 M5x25 4.8 gal Zn
305647	116	Washer DIN125 A4,3 gal Zn
301106	117	Contact stripe

Changes In The Spare Parts List:

VALID FROM SERIAL NO.	ARTICLE NO.	DRAWING NO.	DESCRIPTION	COMMENT
1.2	100690	67	Hopper adapter EK43 compl. for K30 hopper	Available as a set only
1.2	309559	69	Hopper K30 Mahlkönig compl. with lid	Available as a set only (hopper + lid)
1.2	300278	106	Spout	Spout only
1.3	303931	24	Grinding disc set EK43 / EKK43 coffee & spices	Set with both discs and screws
1.4	309653	75	Running capacitor 25µF-450 V, 50-60Hz	new part number
1.5	305039	29	Base plate EK43 (STATE COLOUR)	new part number
1.6	305547	6	Hex nut hat high DIN1587 M4 6 gal Zn	replaces 301519
1.6	301276	25	Pan head screw DIN85 M5x10 A2	replaces 305578
1.7	301106	117	Contact stripe	new in spare parts list
1.8	102691	105	Grinding scale for EK43 0.1 steps	replaces 301948
1.8	305472	13	Centrifugal switch fixed EK43	replaces 302546
1.8	303939	(24)	Grinding disc set EK43T / EKK43T coffee turkish fine	new in spare parts list
1.8	300117	(26)	Pre-breaker complete with feed-worm for coffee (60Hz & turkish fine)	new in spare parts list
1.8	301982	108	Pressure spring d=2,0 nickel plated	replaces 302008
1.9	101735	(69)	Hopper Mahlkönig complete black matt with lid	new in spare parts list
2.0	301758	101	Washer St.2K	Deleted
2.0	101388	68	Hopper 500g complete with slider	new in spare parts list
2.1	303937	(24)	Grinding disc set EL43 / ELL43 linseed	new in spare parts list
2.1	303933	(24)	Grinding disc set EM43 / EMM43 poppy seed	new in spare parts list
2.1	303935	(24)	Grinding disc set EG43 / EGG43 grain	new in spare parts list
2.1	300116	(26)	Pre-breaker complete with feed-worm for spices, poppy seed, linseed, grain (50/60Hz)	new in spare parts list